

### ● General Specifications

- ⌚ Material ----- Frame:Aluminum  
Impeller:Plastics (Flammability:UL94V-0 rating)
- ⌚ Dielectric Strength ----- 50/60Hz 1500VAC 1minute
- ⌚ Life time -----15000 Hours Sleeve bearing  
30000 Hours Ball bearing
- ⌚ Storage Temperatur--- -30°C ~ +70°C (Non-condensing)
- ⌚ Bearing Type----- Ball Bearings Sleeve
- ⌚ Speed Range----- ±10%
- ⌚ Part Numbering System

SFD-AC8038H 220 B - 1

Waterproof level:1=IP55,2=IP68

Bearing:S=sleeve bearing,B=ball bearing

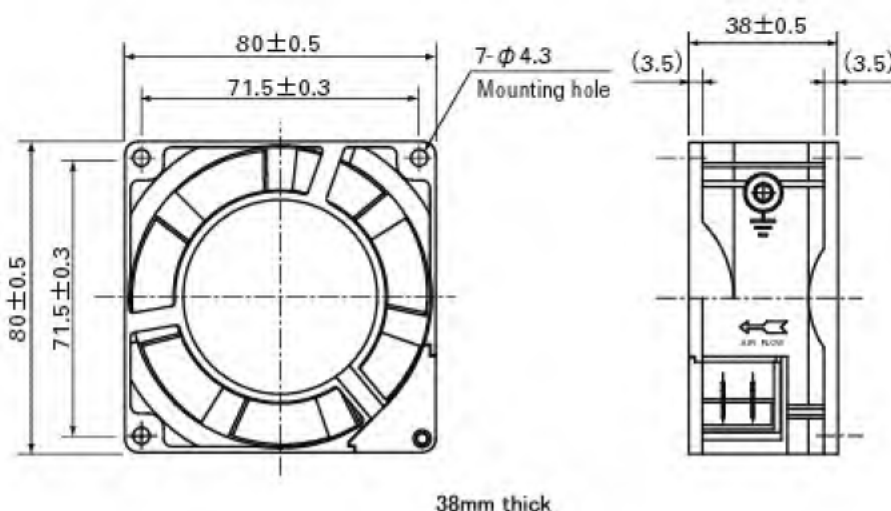
AC Voltage: 110=100-125V、220=220-240V



### 80 X 80 X 38mm ( Mass: 366g)

Model No.	Voltage (v)	Frequency (HZ)	Rated Current (AMP)	Rated Input (Watt)	Speed (R.P.M)	Maximum Air Flow		Max.Static Pressure		Noise (dB-A)
	VAC					M3/min	CFM	mmH2O	IN H2O	
FAN-AC8038L110B	100~125	50 /60	0.09/0.10	9/10	1650/1850	0.48/0.52	17/18	2.72/2.9	0.106/0.104	17/19
FAN-AC8038L220B	220~240		0.07/0.08	9/10	1650/1850	0.48/0.52	17/18	2.72/2.9	0.106/0.104	17/19
FAN-AC8038M110B	100~125		0.11/0.13	12/14	2250/2450	0.63/0.66	22.4/23	3.15/3.65	0.124/0.143	27/31
FAN-AC8038M220B	220~240		0.08/0.09	12/14	2250/2450	0.63/0.66	22.4/23	3.15/3.65	0.124/0.143	27/31
FAN-AC8038H110B	100~125		0.13/0.15	14/16	2450/1950	0.69/0.89	24.2/31	3.35/4.85	0.132/0.192	31/35
FAN-AC8038H220B	220~240		0.10/0.11	16/18	2450/1950	0.69/0.89	24.2/31	3.35/4.85	0.132/0.192	31/35

### ● Dimensions(unit:mm/inch)



### ● Air Flow-Static Pressure Characteristics

