

80mm AC FAN

● General Specifications

- ⌚ Material ----- Frame:Aluminum
Impeller:Plastics (Flammability:UL94V-0 rating)
- ⌚ Dielectric Strength ----- 50/60Hz 1500VAC 1minute
- ⌚ Life time -----15000 Hours Sleeve bearing
30000 Hours Ball bearing
- ⌚ Storage Temperatur--- -30°C ~ +70°C (Non-condensing)
- ⌚ Bearing Type----- Ball Bearings Sleeve
- ⌚ Speed Range----- ±5%
- ⌚ Part Numbering System

SFD-AC8025H 220 B - 1

Waterproof level: 1=IP55, 2=IP68

Bearing: S=sleeve bearing, B=ball bearing

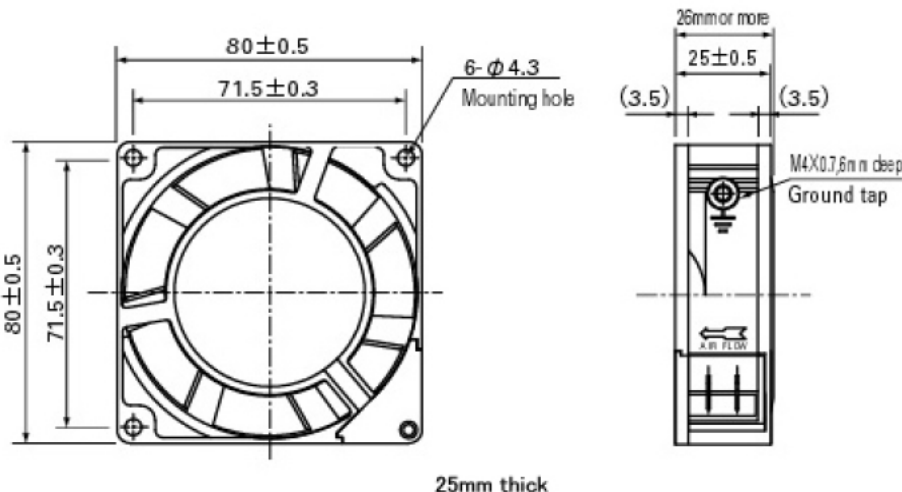
AC Voltage: 110=100-125V、220=220-240V



80 X 80 X 25mm (Mass: 220g)

Model No.	Voltage (v)	Frequency (HZ)	Rated Current (AMP)	Rated Input (Watt)	Speed (R.P.M)	Maximum Air Flow		Max.Static Pressure		Noise (dB-A)
	VAC					M3/min	CFM	mmH2O	IN H2O	
FAN-AC8025L110B	100~125	50 /60	0.06/0.07	7/9	2000/2200	0.36/0.40	13/14	2.5/2.7	0.95/0.102	20/21
FAN-AC8025L220B	220~240		0.04/0.05	8/9	2000/2200	0.36/0.40	13/14	2.5/2.7	0.95/0.102	20/21
FAN-AC8025M110B	100~125		0.08/0.09	10/11	2300/2600	0.45/0.54	16/19	2.9/3.5	0.11/0.135	24/30
FAN-AC8025M220B	220~240		0.05/0.06	10/11	2300/2600	0.45/0.54	16/19	2.9/3.5	0.11/0.135	24/30
FAN-AC8025H110B	100~125		0.10/0.12	13/14	2600/3000	0.51/0.63	18/22	3.5/4.7	0.08/0.11	29/33
FAN-AC8025H220B	220~240		0.10/0.12	13/14	2600/3000	0.51/0.63	18/22	3.5/4.7	0.08/0.11	29/33

● Dimensions(unit:mm/inch)



● Air Flow-Static Pressure Characteristics

