

● General Specifications

- ⌚ Material ----- Frame:Aluminum
Impeller:Plastics (Flammability:UL94V-0 rating)
- ⌚ Dielectric Strength ----- 50/60Hz 1500VAC 1minute
- ⌚ Life time -----15000 Hours Sleeve bearing
30000 Hours Ball bearing
- ⌚ Storage Temperatur--- -30°C ~ +70°C (Non-condensing)
- ⌚ Bearing Type----- Ball Bearings Sleeve
- ⌚ Speed Range----- ±10%
- ⌚ Part Numbering System



SFD-AC25489H 220 B - 1

Waterproof level: 1=IP55, 2=IP68

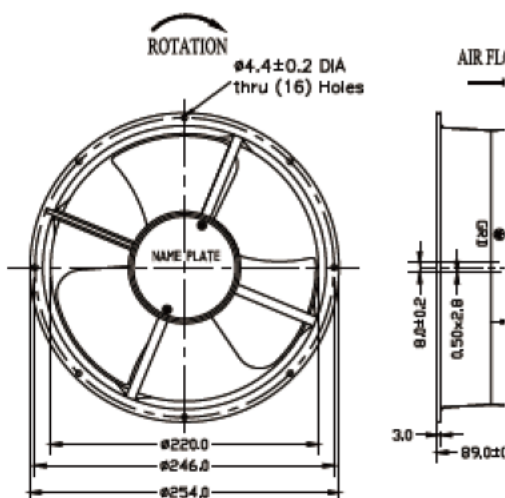
Bearing: S=sleeve bearing, B=ball bearing

AC Voltage: 110=100-125V、220=220-240V

254 X 89mm (Mass2000g)

Model No.	Voltage (v)	Frequency HZ	Rated Current A/MP	Rated Input Watt	Speed R.P.M	Maximum Air Flow		Max.Static Pressure		Noise dB-A
	VAC					M3/min	CFM	mmH2O	IN H2O	
FAN-AC25489H110B	100~125	50/60	0.22/0.23	23/26	1400/1600	17.0/18.8	600/670	6.85/9.18	0.271/0.338	50/52
FAN-AC25489U220B	220~240		0.24/0.27	56/60	1900/2150	22.0/24.2	775/860	9.68/10.2	0.366/0.397	55/57
FAN-AC25489H220B	220~240		0.13/0.15	30/31	1400/1600	17.0/18.8	600/670	6.85/9.18	0.271/0.338	50/52

● Dimensions(unit:mm/inch)



● Air Flow-Static Pressure Characteristics

