

## ● General Specifications

- ⌚ Material -----Frame:Plastics (Flammability:UL94V-0)  
Impeller:Plastics (Flammability:UL94V-0)
- ⌚ Lead Wire-----+ Red - Black (Sensor) Yellow (Control) Brown  
UL 1061 AWG#24 OR Equivalent
- ⌚ Storage Temperatur--- -30°C ~ +70°C (Non-condensing)
- ⌚ Bearing Type----- Ball Bearings Sleeve
- ⌚ Speed Range----- ±10%
- ⌚ Part Numbering System



SFD-FB0612MB- B R 1

Waterproof level:0=no,1=IP55,2=IP68

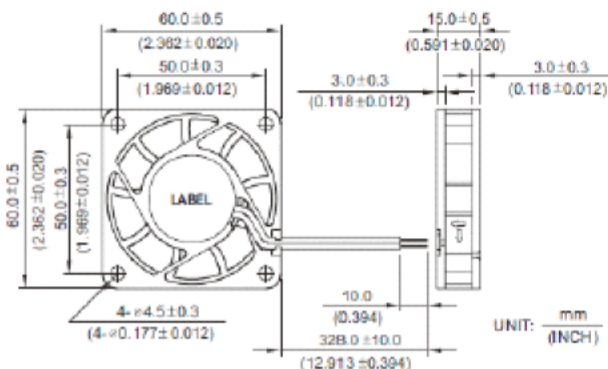
Sensor: 0=no,R=RD sensor ,F=FG sensor ,P=PWM sensor ,T=Temperature sensor

Bearing:S=sleeve bearing,B=ball bearing,Y=superflo bearing

**60 X 60 X 15 mm ( Mass: 26g)**

Model No.	Rated Voltage	Operating Voltage	Rated Current	Rated Input	Speed	Maximum Air Flow		Max.Static Pressure		Noise
	VDC	VDC	AMP	Watt		R.P.M	M3/min	CFM	MmH2O	
FAN-FB00605LB	5	4~6	0.08	0.96	3000	0.373	13.25	1.61	0.060	25.5
FAN-FB00605MB			0.09	1.09	3600	0.432	15.34	2.28	0.088	29
FAN-FB00605HB			0.13	1.56	4200	0.501	17.87	3.31	0.126	33.5
FAN-FB00605HHB			0.19	2.28	4800	0.592	20.2	4.22	0.164	37
FAN-FB00612LB	12	7.5~13.2	0.08	0.96	3000	0.373	13.25	1.61	0.060	25.5
FAN-FB00612MB			0.09	1.09	3600	0.432	15.34	2.28	0.088	29
FAN-FB00612HB			0.13	1.56	4200	0.501	17.87	3.31	0.126	33.5
FAN-FB00612HHB			0.19	2.28	4800	0.592	20.2	4.22	0.164	37
FAN-FB00612VB			0.24	2.88	5400	0.373	13.25	1.61	0.060	25.5
FAN-FB00624LB	24	14~26.2	0.09	1.09	3000	0.432	15.34	2.28	0.088	29
FAN-FB00624MB			0.08	0.96	3600	0.373	13.25	1.61	0.060	25.5
FAN-FB00624HB			0.09	1.09	4200	0.432	15.34	2.28	0.088	29
FAN-FB00624HHB			0.13	1.56	4800	0.501	17.87	3.31	0.126	33.5
FAN-FB00624VB			0.19	2.28	5400	0.592	20.2	4.22	0.164	37

## ● Dimensions(unit:mm/inch)



## ● Air Flow-Static Pressure Characteristics

