

70mm DC FAN

● General Specifications

- ① Material ----- Frame:Plastics (Flammability:UL94V-0)
Impeller:Plastics (Flammability:UL94V-0)
- ① Lead Wire ----- + Red - Black (Sensor) Yellow (Control) Brown
- ① Life time -----25000 Hours Sleeve bearing
50000 Hours Ball bearing
- ① Storage Temperatur--- -30°C ~ +70°C (Non-condensing)
- ① Bearing Type----- Ball Bearings Sleeve
- ① Speed Range----- ±10%
- ① Part Numbering System

SFD-FB0712LA- **B R 1**

Waterproof level:0=no,1=IP55,2=IP68

Sensor: 0=no,R=RD sensor ,F=FG sensor ,P=PWM sensor ,T=Temperature sensor

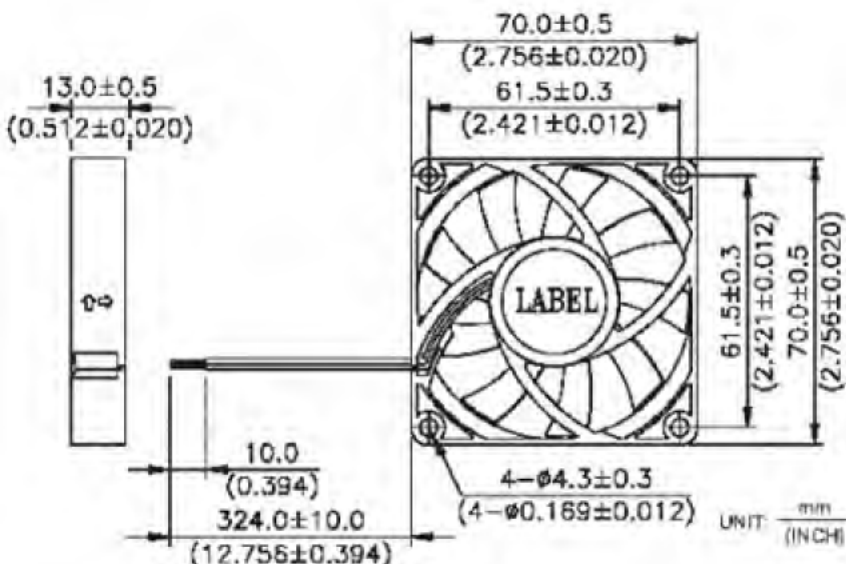
Bearing:S=sleeve bearing,B=ball bearing,Y=superflo bearing,L=long life bearing



70 X 70 X 13 mm (Mass: 40g)

Model No.	Rated Voltage	Operating Voltage	Rated Current	Rated Input	Speed	Maximum Air Flow		Max.Static Pressure		Noise
	VDC	VDC	AMP	Watt	R.P.M	M3/min	CFM	MmH2O	IN H2O	dB-A
FAN-FB0712LC	12	7.5~13.2	0.10	1.2	2900	0.600	21.19	2.01	0.079	28
FAN-FB0712MC			0.17	2.04	3500	0.750	26.49	2.89	0.113	32.5
FAN-FB0712HC			0.24	2.88	3900	0.878	31.02	3.75	0.148	36
FAN-FB0712HHC			0.31	3.72	4500	0.991	35.00	4.98	0.197	39.5
FAN-FB0724LC	24	14.5~27.5	0.09	2.16	2900	0.600	21.19	2.01	0.079	28
FAN-FB0724MC			0.12	2.88	3500	0.750	26.49	2.89	0.113	32.5
FAN-FB0724HC			0.16	3.84	3900	0.878	31.02	3.75	0.148	36
FAN-FB0724HHC			0.20	4.80	4500	0.991	35.00	4.98	0.197	39.5

● Dimensions(unit:mm/inch)



● Air Flow-Static Pressure Characteristics

