

● General Specifications

- ⌚ Material ----- Frame:Plastics (Flammability:UL94V-0)
Impeller:Plastics (Flammability:UL94V-0)
- ⌚ Lead Wire ----- + Red - Black (Sensor) Yellow (Control) Brown
- ⌚ Life time -----25000 Hours Sleeve bearing
50000 Hours Ball bearing
- ⌚ Storage Temperatur--- -30°C ~ +70°C (Non-condensing)
- ⌚ Bearing Type----- Ball Bearings Sleeve
- ⌚ Speed Range----- ±10%
- ⌚ Part Numbering System

SFD-BB0712HH- B R 1

Waterproof level:0=no,1=IP55,2=IP68

Sensor: 0=no,R=RD sensor ,F=FG sensor ,P=PWM sensor ,T=Temperature sensor

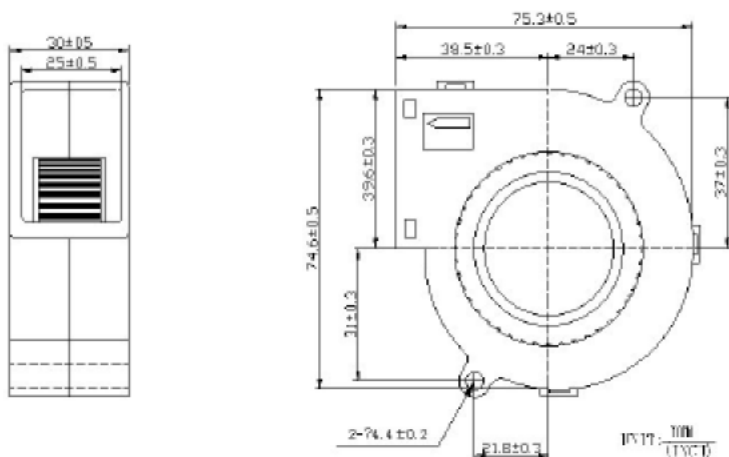
Bearing:S=sleeve bearing,B=ball bearing,Y=superflo bearing,L=long life bearing



75 X 75 X 30mm (Mass: 96g)

Model No.	Rated Voltage	Operating Voltage	Rated Current	Rated Input	Speed	Maximum Air Flow		Max.Static Pressure		Noise
	VDC	VDC	AMP	Watt		R.P.M	M3/min	CFM	MmH2O	
FAN-BB07505L	5	4.0-6.0	0.26	1.30	2200	0.218	8.1	5.9	0.218	29.5
FAN-BB07505M			0.38	1.90	2950	0.325	11.3	12.2	0.485	38.0
FAN-BB07512L	12	7.2-13.8	0.13	1.56	2200	0.218	8.1	5.9	0.218	29.5
FAN-BB07512M			0.23	2.76	2950	0.325	11.3	12.2	0.485	38.0
FAN-BB07512H			0.32	3.84	3650	0.421	14.3	15.1	0.675	45.0
FAN-BB07524L	24	14.5~27.5	0.08	1.92	2200	0.218	8.1	5.9	0.218	29.5
FAN-BB07524M			0.15	3.60	2950	0.325	11.3	12.2	0.485	38.0
FAN-BB07524H			0.18	4.32	3650	0.421	14.3	15.1	0.675	45.0

● Dimensions(unit:mm/inch)



● Air Flow-Static Pressure Characteristics

