

● General Specifications

- ⌚ Material ----- Frame:Die-cast Aluminun
Impeller:Plastics (Flammability:UL94V-0)
- ⌚ Lead Wire ----- + Red - Black (Sensor) Yellow (Control) Brown
- ⌚ Life time -----25000 Hours Sleeve bearing
50000 Hours Ball bearing
- ⌚ Storage Temperatur--- -30°C ~ +70°C (Non-condensing)
- ⌚ Bearing Type----- Ball Bearings Sleeve
- ⌚ Speed Range----- ±10%
- ⌚ Part Numbering System



SFD-FB1712HHG- **B** **R** **1**

Waterproof level:0=no,1=IP55,2=IP68

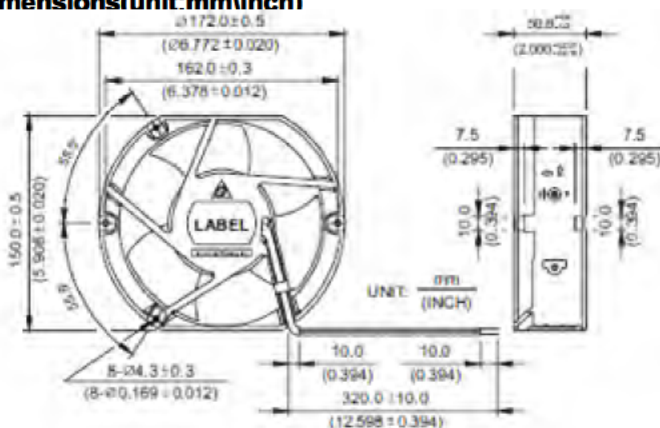
Sensor: 0=no,R=RD sensor ,F=FG sensor ,P=PWM sensor ,T=Temperature sensor

Bearing:S=sleeve bearing,B=ball bearing,Y=superflo bearing,L=long life bearing

172 X 150 X 51mm (Mass: 810g)

Model No.	Rated Voltage	Operating Voltage	Rated Current	Rated Input	Speed	Maximum Air Flow		Max.Static Pressure		Noise
	VDC	VDC	AMP	Watt		R.P.M	M3/min	CFM	MmH2O	
FAN-FB1712LG	12	7.2~13.8	0.85	10.2	2800	5.94	208.5	11.76	0.461	51.0
FAN-FB1712MG			1.05	12.6	3100	6.49	229.6	14.4	0.568	53.0
FAN-FB1712HG			1.40	16.8	3400	7.11	249.6	17.38	0.678	55.5
FAN-FB1712HHG			1.85	22.2	3750	7.89	278.3	20.1	0.792	58.0
FAN-FB1712VHG			2.25	27.0	4000	8.49	301.1	23.7	0.928	61.5
FAN-FB1712SHG			2.60	31.2	4400	9.15	324.2	27.4	1.076	63.5
FAN-FB1724LG	24	14.5~27.5	0.45	10.8	2800	5.94	208.5	11.76	0.461	51.0
FAN-FB1724MG			0.53	12.72	3100	6.49	229.6	14.4	0.568	53.0
FAN-FB1724HG			0.60	14.4	3400	7.11	249.6	17.38	0.678	55.5
FAN-FB1724HHG			0.81	19.44	3750	7.89	278.3	20.1	0.792	58.0
FAN-FB1724VHG			1.02	24.48	4000	8.49	301.1	23.7	0.928	61.5
FAN-FB1724SHG			1.22	29.28	4400	9.15	324.2	27.4	1.076	63.5
FAN-FB1748HG	48	29.0~55.0	0.34	16.32	3400	7.11	249.6	17.38	0.678	55.5
FAN-FB1748HHG			0.42	20.16	3750	7.89	278.3	20.1	0.792	58.0
FAN-FB1748VHG			0.53	25.44	4000	8.49	301.1	23.7	0.928	61.5

● Dimensions(unit:mm/inch)



● Air Flow-Static Pressure Characteristics

