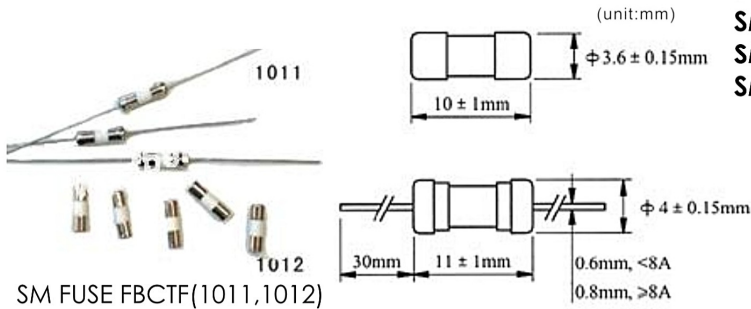


FUSES

Ø 3.6x10 Ceramic Tube Fuses

CERAMIC TUBE FUSE (FAST-BLOW)



SM FUSE FBCTF(1011,1012)

INTERRUPTING RATING:
50 amperes at 125V
(100mA-15A)
50 amperes at 250V
(100mA-15A)
UL/CSA/T-MARK

Electrical Characteristics:

RATING	BLOWING TIME
100%	4 hours Min
200%	60 sec Max

CODING KEY:

SM FUSE FBMF1011-Y-F(fast) or S(slow)

SM FUSE FBMF1012-Y-F(fast) or S(slow)

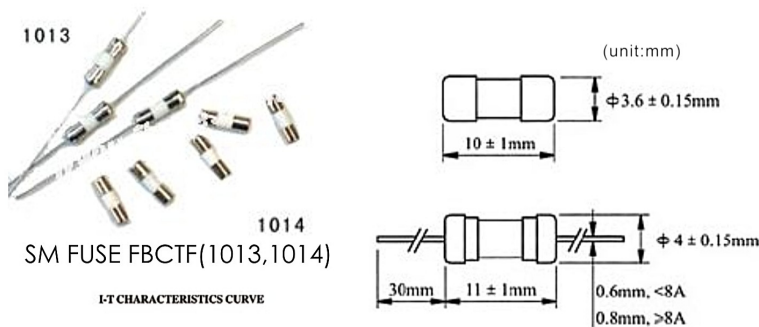
SM FUSE FBMF1013-Y-F(fast) or S(slow)

SM FUSE FBMF1014-Y-F(fast) or S(slow)

Y=Ampere Rating (1=100mA)

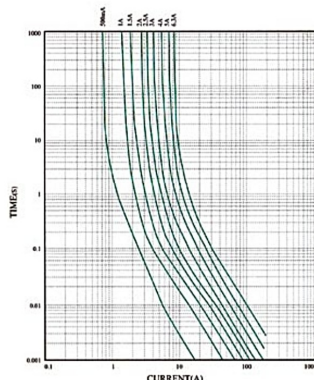
Y	Ampere Rating	Voltage Rating	Disjunction Power
1	100mA	H/L	H/L
2	125mA	H/L	H/L
3	150mA	H/L	H/L
4	160mA	H/L	H/L
5	200mA	H/L	H/L
6	250mA	H/L	H/L
7	300mA	H/L	H/L
8	315mA	H/L	H/L
9	350mA	H/L	H/L
10	400mA	H/L	H/L
11	500mA	H/L	H/L
12	600mA	H/L	H/L
13	700mA	H/L	H/L
14	750mA	H/L	H/L
15	800mA	H/L	H/L
16	1A	H/L	H/L
17	1.2A	H/L	H/L
18	1.25A	H/L	H/L
19	1.5A	H/L	H/L
20	1.6A	H/L	H/L
21	1.8A	H/L	H/L
22	2A	H/L	H/L
23	2.5A	H/L	H/L
24	3A	H/L	H/L
25	3.15A	H/L	H/L
26	3.5A	H/L	H/L
27	4A	H/L	H/L
28	5A	H/L	H/L
29	6A	H/L	H/L
30	6.3A	H/L	H/L
31	7A	H/L	H/L
32	8A	H/L	H/L
33	10A	H/L	H/L
34	12A	H/L	H/L
35	15A	H/L	H/L

CERAMIC TUBE FUSE (SLOW-BLOW)



SM FUSE FBCTF(1013,1014)

I-T CHARACTERISTICS CURVE



Electrical Characteristics:

RATING	BLOWING TIME
100%	4hours Min
200%	1-60 sec

Ampere Voltage:

H Denotes For 250V

L Denotes For 125V

Disjunction Power:

H Denotes For High Disjunction

L Denotes For Low Disjunction