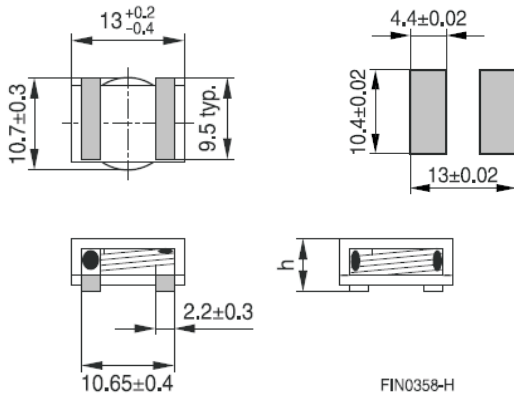


## ERU 13, helically wound

## B82559\*A013

- Rated inductance 0.5....3.9  $\mu$ H  
Saturation current 12....30A  
Construction:
- ferrite core
  - magnetically shielded
  - winding: enamel copper flat wire
  - self-led construction under body termination



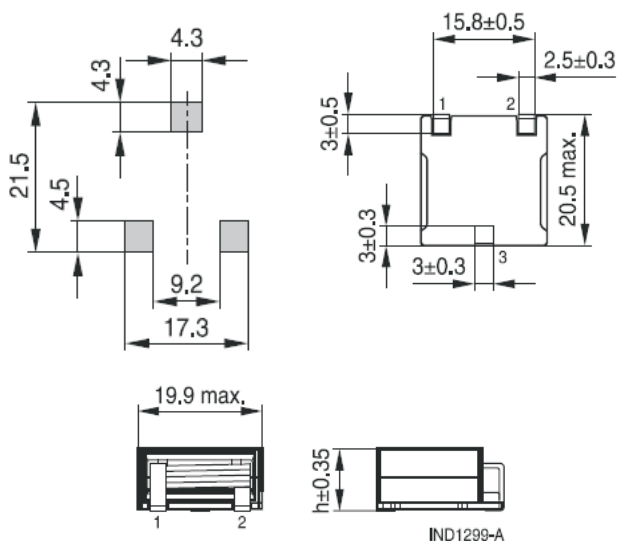
### Characteristics and ordering codes

$L_R$ $\mu$ H	$I_{sat}$ A	$R_{typ}$ m $\Omega$	Height h max. mm	Ordering code
0.50	30	0.78	4.95	B82559A0501A013
0.95	25	1.12	5.95	B82559A0951A013
1.1	20	1.72	4.95	B82559A0112A013
1.4	22	1.50	6.00	B82559A0142A013
2.15	15	3.20	4.95	B82559A0222A013
2.4	16.5	2.76	5.95	B82559A0242A013
3.0	13	4.00	4.95	B82559A0302A013
3.9	12	4.80	5.95	B82559A0392A013

## ERU 19, helically wound

## B82559\*A019

- Rated inductance 1.0....30  $\mu$ H  
Saturation current 10.1....43A  
Construction:
- high temperature ferrite core
  - magnetically shielded
  - helical winding
  - self-led construction
  - under body termination
  - 3 pins for improved reliability



### Characteristics and ordering codes

$L_R$ $\mu$ H	$I_{sat, 25^\circ C}$ A	$I_{sat, 100^\circ C}$ A	$R_{DC} (max)$ m $\Omega$	$R_{DC} (typ)$ m $\Omega$	Height h (nom.) mm	Approx. weight g	Ordering code
1.0	43.0	37.5	1.20	0.95	8.35	9.8	B82559A2102A019
1.5	42.5	36.3	1.70	1.45	9.15	10.3	B82559A3152A019
2.2	37.8	32.2	2.20	1.80	9.75	11.1	B82559A4222A019
3.3	31.5	27.0	2.70	2.30	10.85	12.7	B82559A5332A019
4.7	23.0	20.2	2.70	2.30	10.85	12.7	B82559A5472A019
6.8	18.6	16.4	8.25	7.70	8.35	9.3	B82559A6682A019
10.0	14.4	12.7	9.55	8.90	8.35	9.6	B82559A7103A019
15.0	13.0	11.4	12.15	11.35	9.15	10.7	B82559A9153A019
20.0	12.0	10.6	14.75	13.75	9.75	11.8	B82559A0203A019
30.0	10.1	8.7	18.65	17.35	10.85	13.0	B82559A0303A019

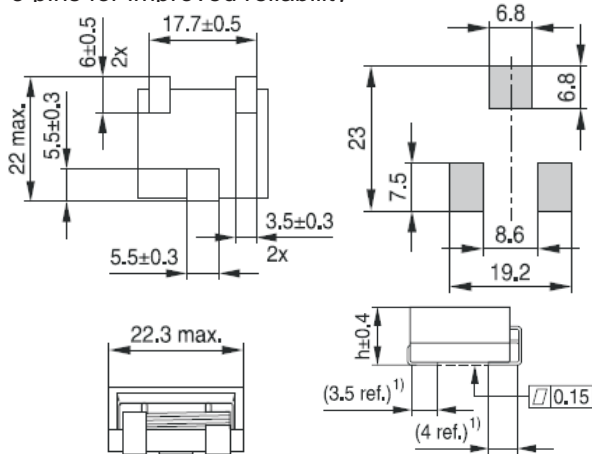
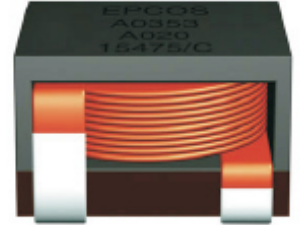
# SMT power inductors

ELEKTRONICKÉ SOUČÁSTKY  
Lužnice 10, 344 01 Domažlice  
tel.: 379 723 915, fax: 379 725 868

## ERU 20, helically wound

## B82559\*A020

- Rated inductance 1.0....35μH  
Saturation current 9.3....50A  
Construction:
- high temperature ferrite core
  - magnetically shielded
  - helical winding
  - self-led construction under body termination
  - 3 pins for improved reliability



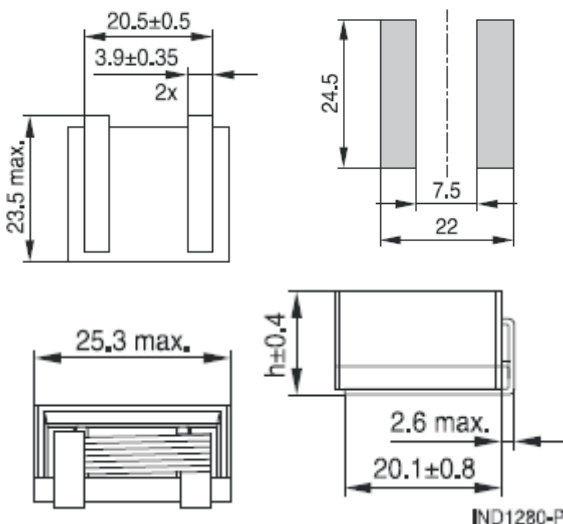
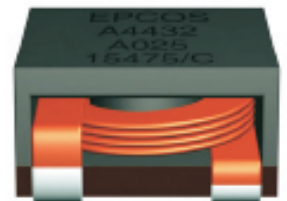
### Characteristics and ordering codes

L <sub>R</sub> μH	I <sub>sat</sub> , 25°C A	I <sub>sat</sub> , 100°C A	R <sub>DC</sub> (max) mΩ	R <sub>DC</sub> (typ) mΩ	Height h (nom.) mm	Approx. weight g	Ordering code
1.0	50.0	45.0	0.65	0.55	9.8	15.7	B82559A2102A020
1.5	50.0	43.0	0.90	0.80	10.7	17.6	B82559A3152A020
2.2	43.0	38.0	1.20	1.00	12.1	19.8	B82559A4222A020
3.3	34.0	29.0	1.50	1.30	14.1	22.5	B82559A5332A020
4.7	22.0	19.0	2.40	2.15	9.8	15.7	B82559A4472A020
6.8	19.0	16.5	2.90	2.70	9.8	16.3	B82559A5682A020
10.0	18.3	16.0	3.90	3.70	10.7	18.1	B82559A7103A020
15.0	15.3	13.5	4.95	4.65	12.1	19.7	B82559A9153A020
20.0	14.3	12.0	6.40	5.70	14.1	22.5	B82559A0203A020
29.0	11.0	9.5	7.10	6.65	14.1	23.9	B82559A0293A020
35.0	9.3	7.5	7.10	6.65	14.1	23.9	B82559A0353A020

## ERU 25, helically wound

## B82559\*A025

- Rated inductance 0.44....20μH  
Saturation current 15....71A  
Construction:
- high temperature ferrite core
  - magnetically shielded
  - helical winding
  - self-led construction under body termination



### Characteristics and ordering codes

L <sub>R</sub> μH	I <sub>sat</sub> , 25°C A	I <sub>sat</sub> , 100°C A	R <sub>DC</sub> (max) mΩ	R <sub>DC</sub> (typ) mΩ	Height h (nom.) mm	Approx. weight g	Ordering code
0.44	71	71	0.25	0.20	9.6	22.1	B82559A1042A025
1.25	50	48	0.45	0.40	11.1	24.4	B82559A2122A025
2.30	41	40	0.70	0.60	12.8	29.5	B82559A3232A025
2.90	33	29	1.15	1.00	9.6	21.8	B82559A3292A025
4.35	30	28	1.50	1.30	11.1	25.2	B82559A4432A025
6.10	28	24	1.85	1.60	11.1	26.3	B82559A5612A025
7.90	26	23	2.20	2.00	12.8	27.5	B82559A6792A025
10.00	24	22	2.55	2.20	12.8	29.6	B82559A7103A025
15.00	15	14	2.55	2.20	12.8	29.6	B82559A7153A025
20.00	15	14	3.25	2.80	14.6	33.0	B82559A9203A025