

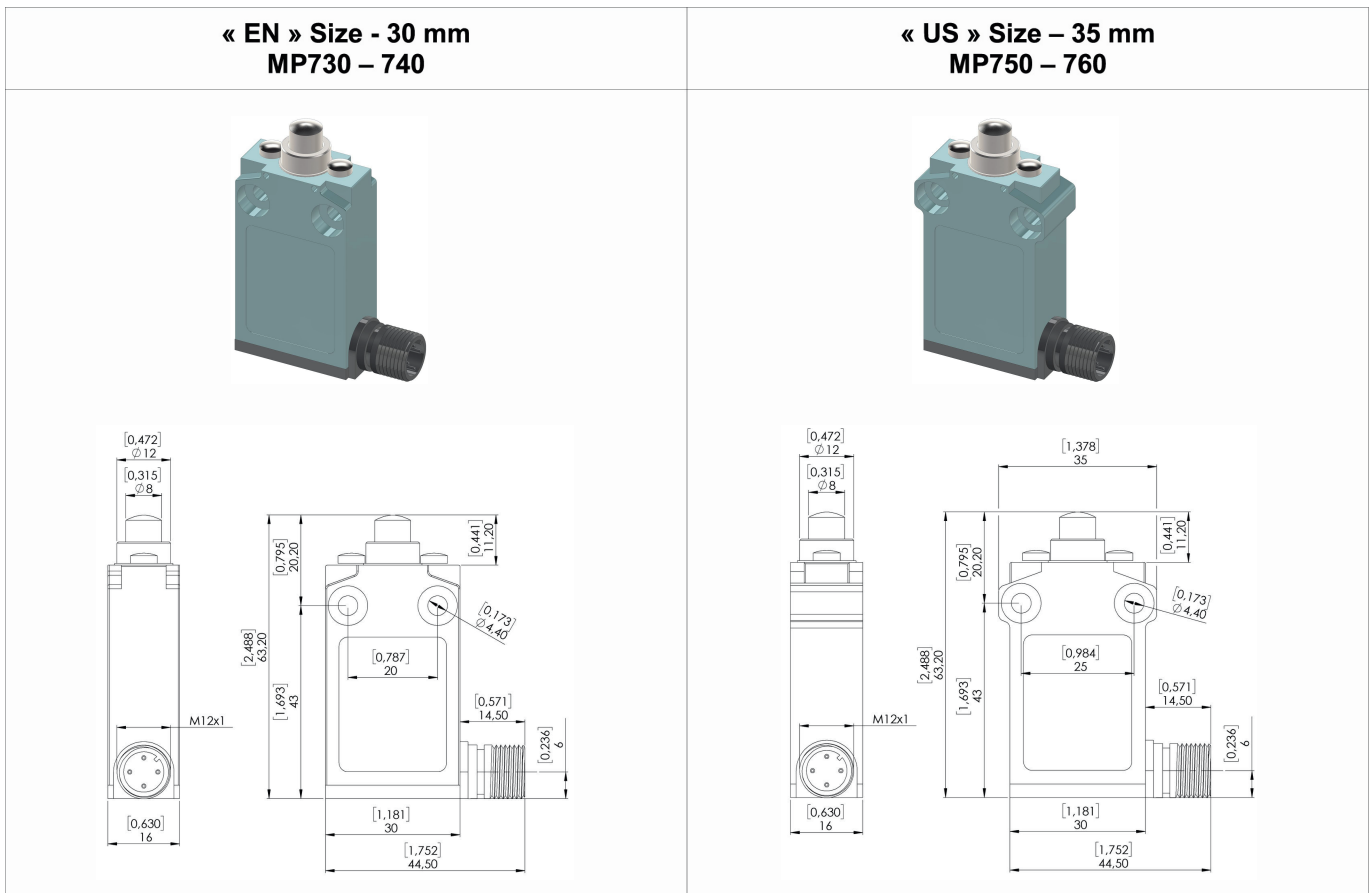
MP700 Series with connector M12

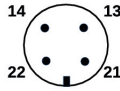
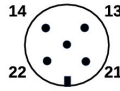


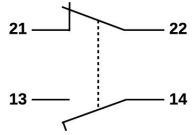
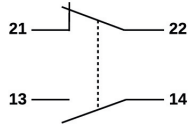
The MP700 series of sealed limit switches now offer an optional M12-connector integrated into their housing. A detachable cable connection can be a simple and flexible alternative to the common potted cable solutions. This feature facilitates easy interfacing to industrial bus systems.

The M-12 connector is available for « EN » and « US » switch housing sizes, in their metal and plastic versions. It allows for easy switch exchange without the need for cumbersome re-wiring work. The electric rating accommodates power switching up to 4A/120 VAC or 3A/240 VAC.

The MP700 series of IP67 sealed limit switch series also offers a broad range of actuator types ranging from pin and roller plungers up to roller levers and many others. The electrical switching module is a positive opening circuit with either slow-action or snap-action movements for a broad range of industrial applications. The products fulfil the EN 60947-5-1 standards and are also UL approved.



	Plastic casing MP730-MP750	Metal casing MP740-MP760
Standard	Device conform with IEC 60947-5-1 and EN 60947-5-1	
Certifications - Approvals	UL	
Air temperature - during operation - for storage	-25°C ...+70°C (-13°F ...+158°F) -40°C ...+70°C (-40°F ... +158°F)	
Protection against electrical shocks (according to IEC 61140)	Class II	Class I
Degree of Protection (according to IEC 61140)	IP67	
Degree of Protection (according to UL 50)	Type 1 enclosure (« indoor use only »)	Type 4 – 4X – 6 enclosure (« outdoor use – raintight – watertight corrosion resistant »)
Rated insulation voltage Ui - according to IEC 60947-1 and EN 60947-1 - according to UL 508 and CSA C22,2 n°14	250V B300, R300	
Conventional free air thermal current Ith (according to IEC 60947-5-1 and EN 60947-5-1) $\theta < 40^{\circ}\text{C}$ (104°F)	A	4
Short-circuit protection Ue < 500V a.c. - gG (gl) type fuses	A	4
Rated operational current Ie / AC-15 (according to IEC 60947-5-1)		
	24V – 50/60 Hz	A
	120V – 50/60 Hz	A
	240V – 50/60 Hz	A
Rated operational current Ie / DC-13 (according to IEC 60947-5-1)		
	24V – d.c.	A
	125V – d.c.	A
	250V – d.c.	A
Switching frequency	Cycles/h	3600
Load factor		0,5
Resistance between contacts	mΩ	25
Electrical connection	Connector M12	
Mechanical durability	Mio	10
Connector layout		

	Slow action	Snap action
Diagram		
Positive opening according to IEC 60947-5-1	