

# CAC3 Series

## CHOGORI

### CAC3 Series Specifications

#### CAC3 Series(Rotary latch-Type)

##### Description

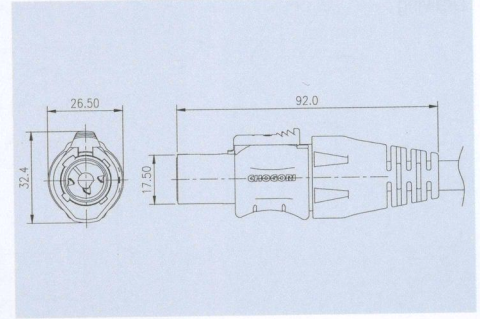
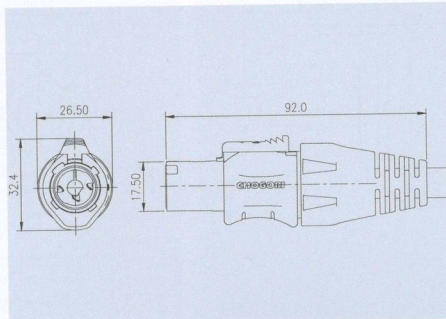
3 PIN Power CON Insert Molding Type plug  
Power-in (blue)

3 PIN Power CON Insert Molding Type plug  
Power-out (grey)

##### Figure



##### Drawing



##### Part Number

Contacts	Cable Range(mm)	Part Number	Contacts	Panel thickness	Part Number
4	7.0 - 14.0	16003133-01	4	7.0 - 14.0	16003133-02

##### Specifications

Number of Contacts	3
Wire Gauge	14-12AWG
Cable Range	7mm - 14mm
Environmental Protection	IP67
Mechanical Life	≥ 1000 mating cycles
Operating Temperature	- 40°C - +80°C
Withstand Voltage	≥ AC 2500V / 1Minute
Rated voltage	250 V AC
Contact Resistance	≤ 3mΩ
Insulation Resistance	≥ 100MΩ
Rated Current (40°C)	20 A