

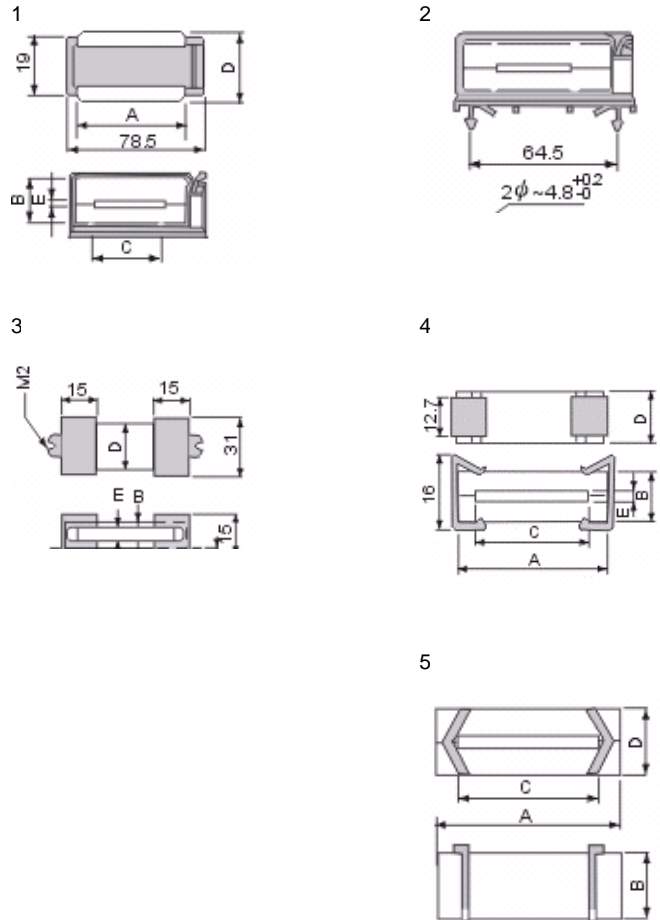
Flat Ferrite with Clip – SRPS Series



Features

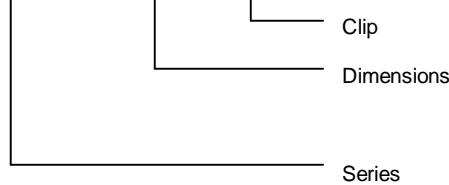
- Precision formed smooth surfaces prevent damage to wire insulation.
- Applications: Cables between pc boards and data connectors, floppy disk and hard cables with series digital signal busses.

Shapes



Ordering Information

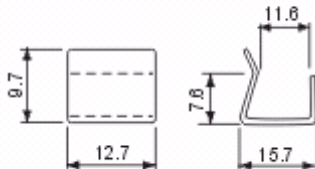
SRPS 63.5x6.35x28.5 N1



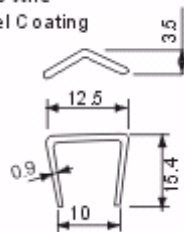
Clip Material

N1, N2, N3: Nylon-66 (UL)
Flame Class: 94V-2

M1: Spring Steel
Nickel Coating



M2: Piano wire
Nickel Coating



Characteristics

Part No.	Fig.	A	B	C	D	E	Impedance (Ω) min	
							25MHz	100MHz
SRPS38.0x6.35x15.0M2	5	38.0 ± 1.0	12.7 ± 0.5	26.6 ± 0.7	15.0 ± 0.4	1.6 ± 0.4	40	115
SRPS38.0x6.35x25.4M1	4	38.0 ± 1.0	12.7 ± 0.5	26.6 ± 0.7	25.4 ± 0.7	1.6 ± 0.4	75	140
SRPS45.0x6.35x15.0M2	5	45.0 ± 1.0	12.7 ± 0.5	34.4 ± 0.7	15.0 ± 0.4	1.6 ± 0.4	40	90
SRPS45.0x6.35x28.5M1	4	45.0 ± 1.0	12.7 ± 0.5	34.4 ± 0.7	28.5 ± 0.7	1.6 ± 0.4	70	140
SRPS45.0x6.35x28.5N3	3	45.0 ± 1.0	12.7 ± 0.5	34.4 ± 0.7	28.5 ± 0.7	1.6 ± 0.4	70	140
SRPS55.1x6.35x15.0M2	5	55.1 ± 1.0	12.7 ± 0.5	43.7 ± 1.0	15.0 ± 0.4	1.6 ± 0.4	40	105
SRPS55.1x6.35x28.5M1	4	55.1 ± 1.0	12.7 ± 0.5	43.7 ± 1.0	28.5 ± 0.7	1.6 ± 0.4	65	140
SRPS55.1x6.35x28.5N3	3	55.1 ± 1.0	12.7 ± 0.5	43.7 ± 1.0	28.5 ± 0.7	1.6 ± 0.4	65	140
SRPS63.5x6.35x15.0M2	5	63.5 ± 1.2	12.7 ± 0.5	52.0 ± 1.0	15.0 ± 0.4	1.6 ± 0.4	40	95
SRPS63.5x6.35x28.5M1	4	63.5 ± 1.2	12.7 ± 0.5	52.0 ± 1.0	28.5 ± 0.7	1.6 ± 0.4	60	150
SRPS63.5x6.35x28.5N1	1	63.5 ± 1.2	12.7 ± 0.5	52.0 ± 1.0	28.5 ± 0.7	1.6 ± 0.4	60	150
SRPS63.5x6.35x28.5N2	2	63.5 ± 1.2	12.7 ± 0.5	52.0 ± 1.0	28.5 ± 0.7	1.6 ± 0.4	60	150
SRPS63.5x6.35x28.5N3	3	63.5 ± 1.2	12.7 ± 0.5	52.0 ± 1.0	28.5 ± 0.7	1.6 ± 0.4	60	150
SRPS76.2x6.35x28.5M1	1	76.2 ± 1.5	12.7 ± 0.5	65.2 ± 1.2	28.5 ± 0.7	1.6 ± 0.4	60	190
SRPS76.2x6.35x28.5N3	3	76.2 ± 1.5	12.7 ± 0.5	65.2 ± 1.2	28.5 ± 0.7	1.6 ± 0.4	60	190