

# Power Line Filters Three Phase

Low Current/High Performance



## 62-PMB/63-PMF Series

### Features

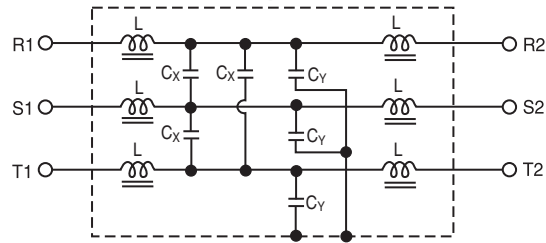
- Excellent attenuation for high voltage impulse
- Effective for both balanced and unbalanced three-phase loads
- Metal case provides effective EMI shielding
- Epoxy molded for internal component reliability
- Compact and economical
- Excellent filtering characteristics for both normal and common mode
- Various current ratings available: 3, 5, 8 and 16 Amps
- Safety agency approvals pending
- Operating temperature: -25°C to +85°C (including temperature rise, see graph on page PF81)

### Applications

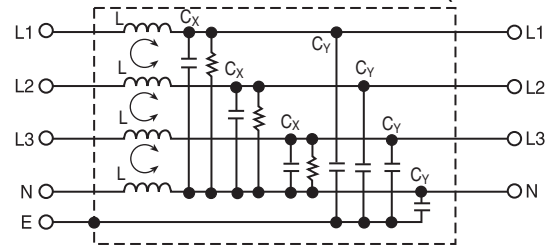
- Digital equipment
- Industrial equipment (UPS, inverters and converters)
- Automation equipment
- Computerized washing machines

### Circuit Diagram

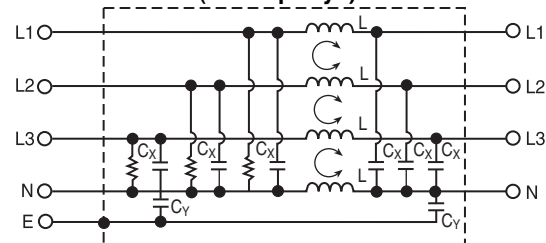
62-PMB-050-6-12 (5 Amp Delta)



63-PMF-030-8-14 and 63-PMF-080-8-14 (3 and 8 Amp Wye)



63-PMF-160-9-21 (16 Amp Wye)



### Specifications

Model	Rated Voltage (@ 50/60Hz)	Rated Current	Leakage Current (Max.)	Capacitance		Inductance (L <sub>1</sub> )	Temperature Rise (Max.)
				C <sub>Y</sub>	C <sub>X</sub>		
62-PMB-050-6-12	250VAC	5A	0.6mA	2200pF	0.22uF	115mH	45°C
63-PMF-030-8-14	480VAC	3A	1.0mA	4700pF (4X)	470uF (3X)	1.0mH (4X)	30°C
63-PMF-080-8-14		8A				0.74mH (4X)	40°C
63-PMF-160-9-21		16A	3.0mA	0.015uF (2X)	1.0uF (6X)	1.2mH (4X)	45°C

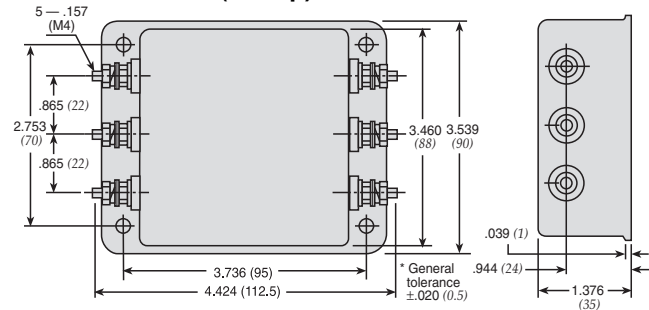
Note: Test Voltage 1500VAC one minute, line to ground.  
 Insulation Resistance: 300 MΩ min. at 500VDC.  
 Voltage Drop: 1V max. at rated current.  
 Weight: 8.82 ounces (250 grams) for 63-PMF-030-8-14 and 63-PMF-080-8-14  
 19.4 ounces (550 grams) for 62-PMB-050-6-12  
 51.5 ounces (1450 grams) for 63-PMF-160-9-21

# Power Line Filters Three Phase

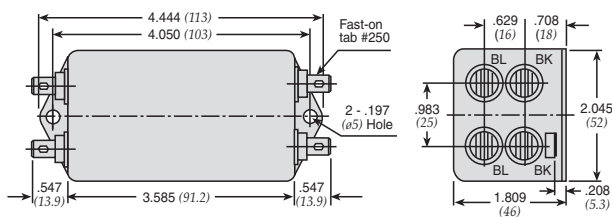
Low Current/High Performance

## 62-PMB/63-PMF Series

### 62-PMB-050-6-12 (5 Amp)

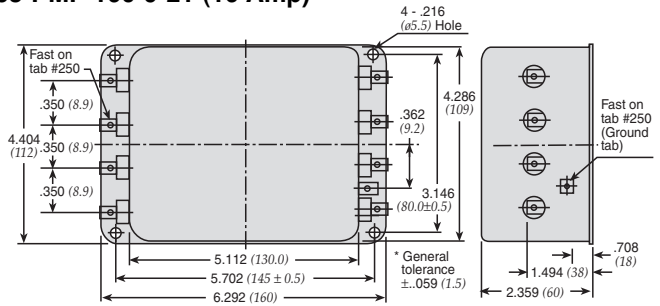


### 63-PMF-030-8-14 and 63-PMF-080-8-14 (3 and 8 Amp)



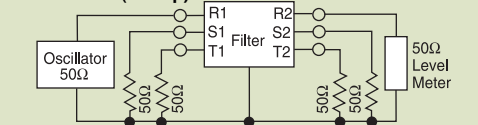
Dimensions in inches (mm)

### 63-PMF-160-9-21 (16 Amp)

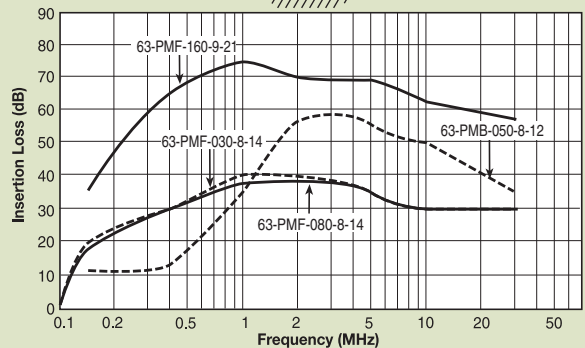
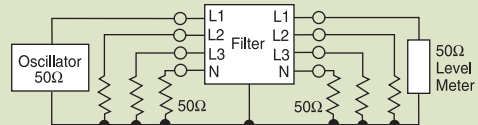


## Normal Mode

### 62-PMB-050-6-12 (5 Amp)

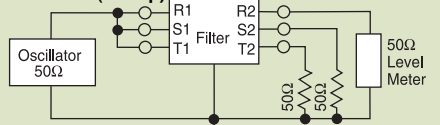


### 63-PMF (3, 8 and 16 Amp)

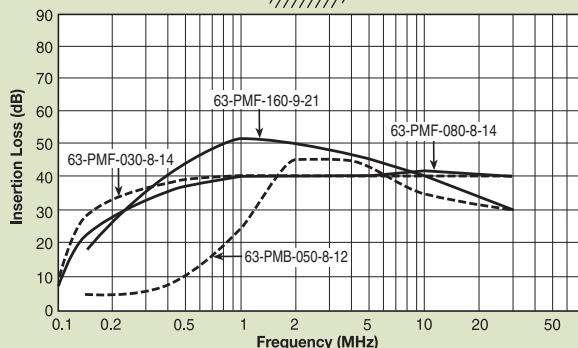
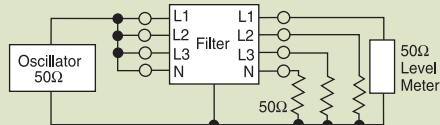


## Common Mode

### 62-PMB-050-6-12 (5 Amp)



### 63-PMF (3, 8 and 16 Amp)



# Power Line Filters Three Phase

## 13-PWF/PWL/PWB Series

### Features

- Excellent attenuation for high voltage impulse
- Effective for both balanced and unbalanced three-phase loads
- Metal case provides effective EMI shielding
- Epoxy molded for internal component reliability
- Suitable for both Wye and Delta connection
- Excellent filtering characteristics for both normal and common mode
- Operating temperature: -40°C to +85°C
- Designed for 3-phase 4-line power supply systems

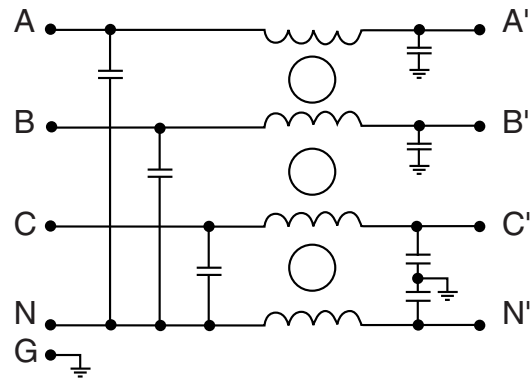
### Applications

- Digital equipment
- Industrial equipment (UPS, inverters and converters)
- Automation equipment
- Computerized washing machines

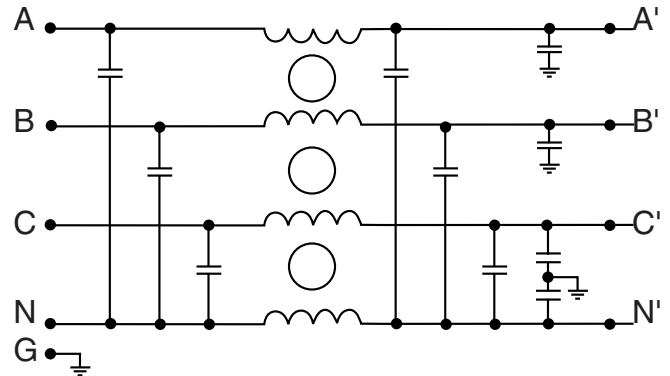


### Circuit Diagram

Circuit 1



Circuit 2



### Specifications

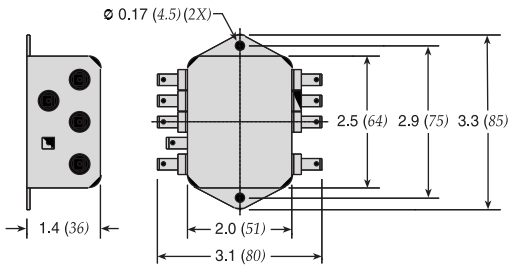
Model	Rated Voltage (@ 50/60Hz)	Rated Current	Leakage Current (Max.)	Circuit Diagram	Figure	Temperature Rise (Max.)	
13-PWF-005-12-H	440/250VAC	5A	1.5mA	1	A	30°C	
13-PWL-005-12-C					B		
13-PWF-010-12-H					A		
13-PWL-010-12-C		B					
13-PWB-010-12-D		10A			2		C
13-PWB-015-12-D							
13-PWB-020-12-D				20A			
13-PWB-025-12-D		25A					
13-PWB-030-12-D		30A					

Note: Test Voltage 1500VAC one minute, line to ground.  
Insulation Resistance: 300 MΩ min. at 500VDC.  
Voltage Drop: 1V max. at rated current.

# Power Line Filters Three Phase

## 13-PWF/PWL/PWB Series

Figure A



Dimensions in inches (mm)

Figure B

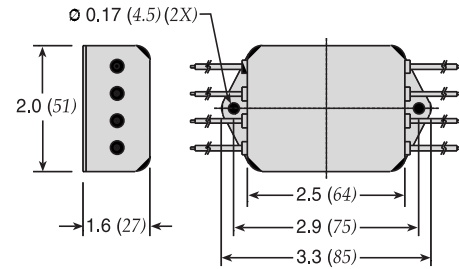
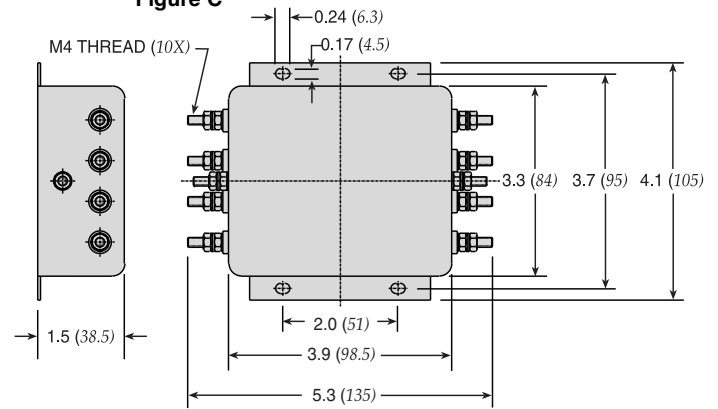
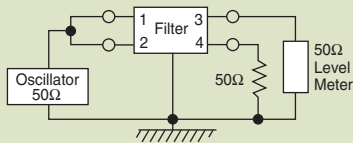


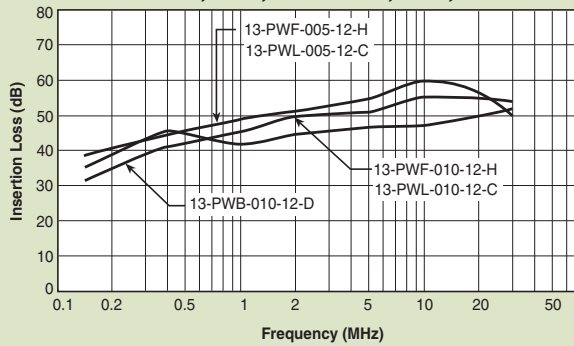
Figure C



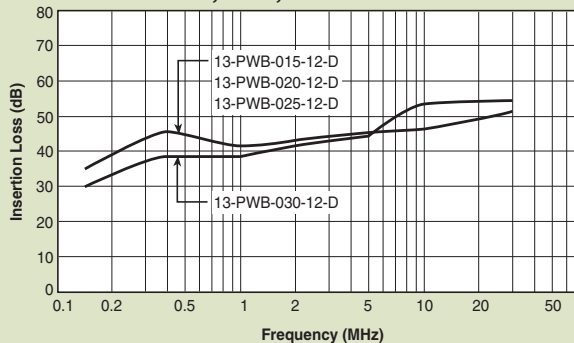
### Common Mode



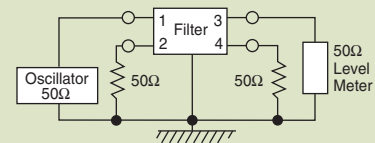
#### 13-PWF-005;-010;-PWL-005;-010;-PWB-010



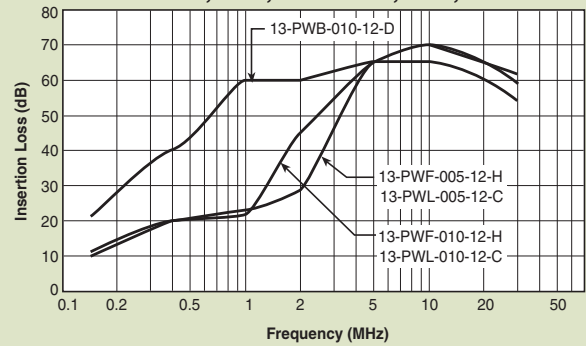
#### 13-PWB-015;-020;-025;-030



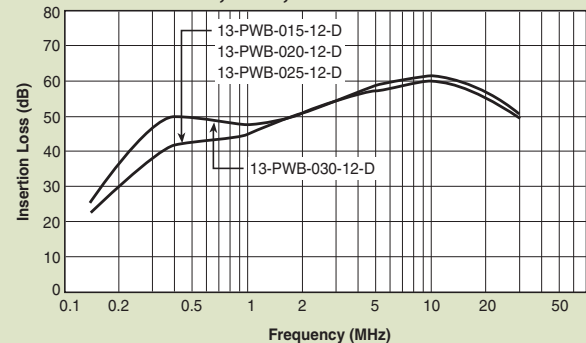
### Normal Mode



#### 13-PWF-005;-010;-PWL-005;-010;-PWB-010



#### 13-PWB-015;-020;-025;-030



# Power Line Filters Three Phase

High Performance

## 13-PDF/PDL/PDB Series

### Features

- Excellent attenuation for high voltage impulse
- Effective for both balanced and unbalanced three-phase loads
- Metal case provides effective EMI shielding
- Epoxy molded for internal component reliability
- Compact and economical
- Excellent filtering characteristics for both normal and common mode
- Operating temperature: -40°C to +85°C
- Designed for 3-phase, 3-Delta connection system

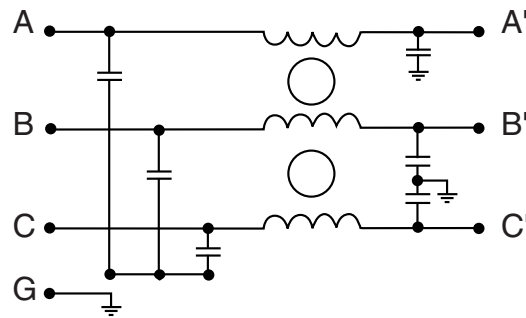
### Applications

- Digital equipment
- Industrial equipment (UPS, inverters and converters)
- Automation equipment
- Switching power supplies

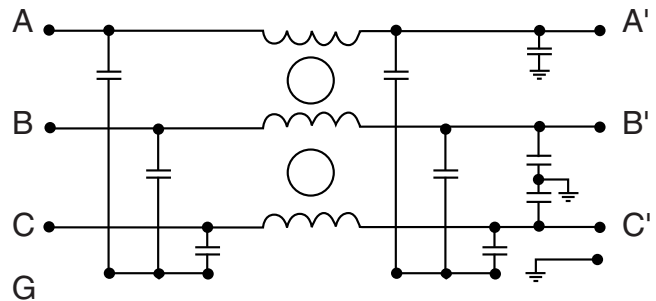


### Circuit Diagram

Circuit 1



Circuit 2



### Specifications

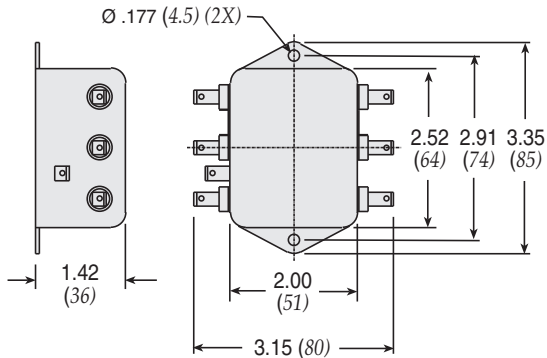
Model	Rated Voltage (@ 50/60Hz)	Rated Current	Leakage Current (Max.)	Circuit Diagram	Figure	Temperature Rise (Max.)	
13-PDF-005-11-J	440/250VAC	5A	1.5mA	1	A	30°C	
13-PDL-005-11-D					B		
13-PDF-010-11-J		10A			A		
13-PDL-010-11-D					B		
13-PDB-010-11-D		2		30A	C		
13-PDB-015-11-D							15A
13-PDB-020-11-D							20A
13-PDB-025-11-D							25A
13-PDB-030-11-D							30A

Note: Test Voltage 1500VAC one minute, line to ground.  
Insulation Resistance: 300 MΩ min. at 500VDC.  
Voltage Drop: 1V max. at rated current.

# Power Line Filters Three Phase

## 13-PDF/PDL/PDB Series

Figure A



Dimensions in inches (mm)

Figure B

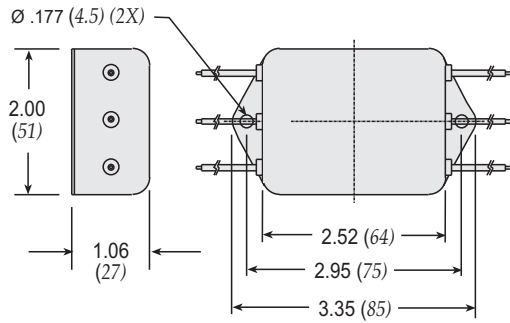
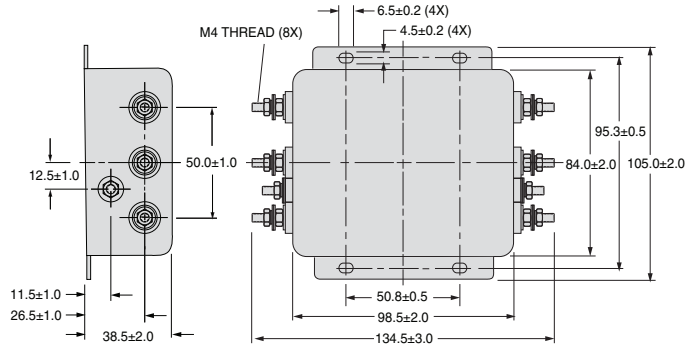
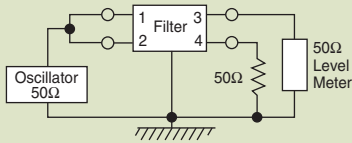


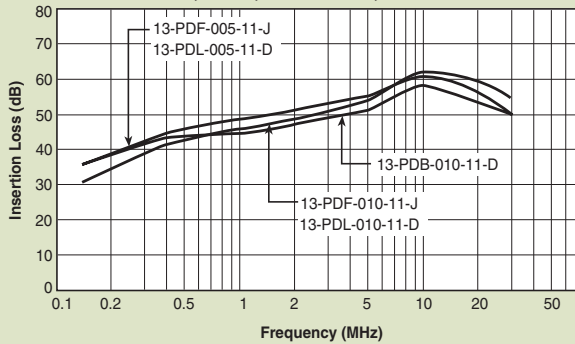
Figure C



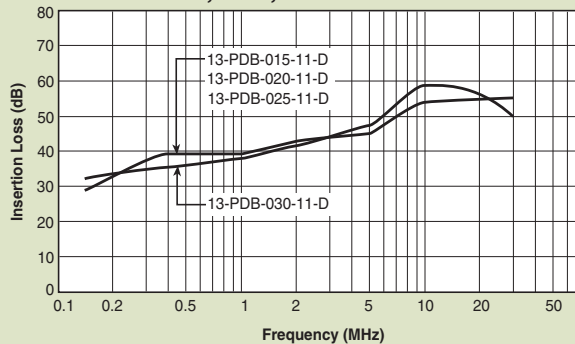
### Common Mode



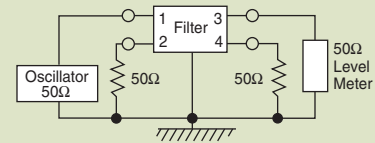
#### 13-PDF-005;-010; PDL-005;-010 PDB-010



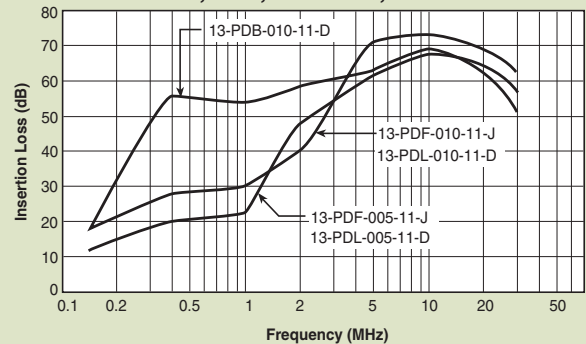
#### 13-PDB-015;-020;-025;-030



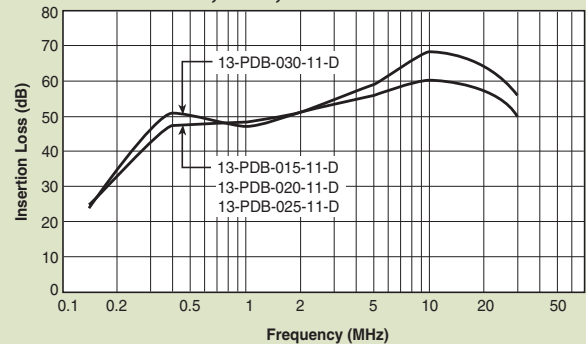
### Normal Mode



#### 13-PDF-005;-010; PDL-005;-010 PDB-010



#### 13-PDB-015;-020;-025;-030



# Power Line Filters Three Phase

High Performance



## 13-PWB Series

### Features

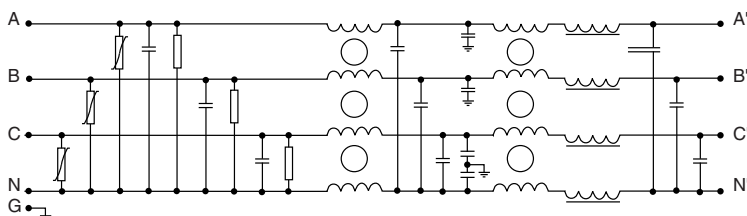
- Excellent attenuation for high voltage impulse
- Metal case provides effective EMI shielding
- Epoxy molded for internal component reliability
- Excellent filtering characteristics for both normal and common mode
- Various current ratings available: from 5 to 150 Amps
- Operating temperature: -40°C to +85°C
- Designed for 3-phase, 4-line power systems

### Applications

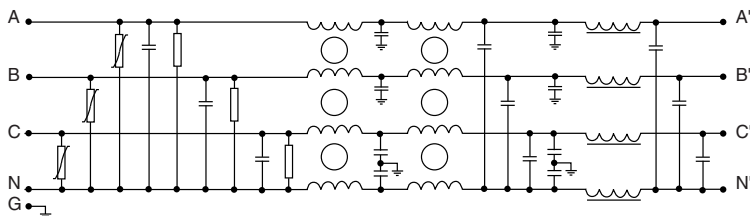
- Power supplies for data systems
- Industrial equipment (UPS, inverters and converters)
- Automation equipment
- Telecommunications systems and equipment

## Circuit Diagram

Circuit 1



Circuit 2



## Specifications

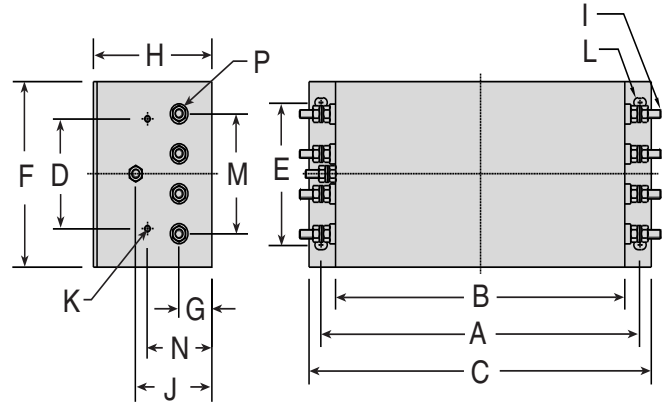
Model	Rated Voltage (@ 50/60Hz)	Rated Current	Leakage Current (Max.)	Circuit Diagram	Temperature Rise (Max.)
13-PWB-005-12-A	480/277VAC	5A	4.5mA	1	30°C
13-PWB-010-12-B		10A			
13-PWB-020-12-B		20A			
13-PWB-035-12-C		35A			
13-PWB-050-13-C		50A	9.0mA	2	
13-PWB-080-14-D		80A	20mA		
13-PWB-100-14-D		100A			
13-PWB-150-14-E		150A			

Note: Test Voltage 1500VAC one minute, line to ground.  
Insulation Resistance: 300 MΩ min. at 500VDC.  
Voltage Drop: 1V max. at rated current.

# Power Line Filters Three Phase

High Performance

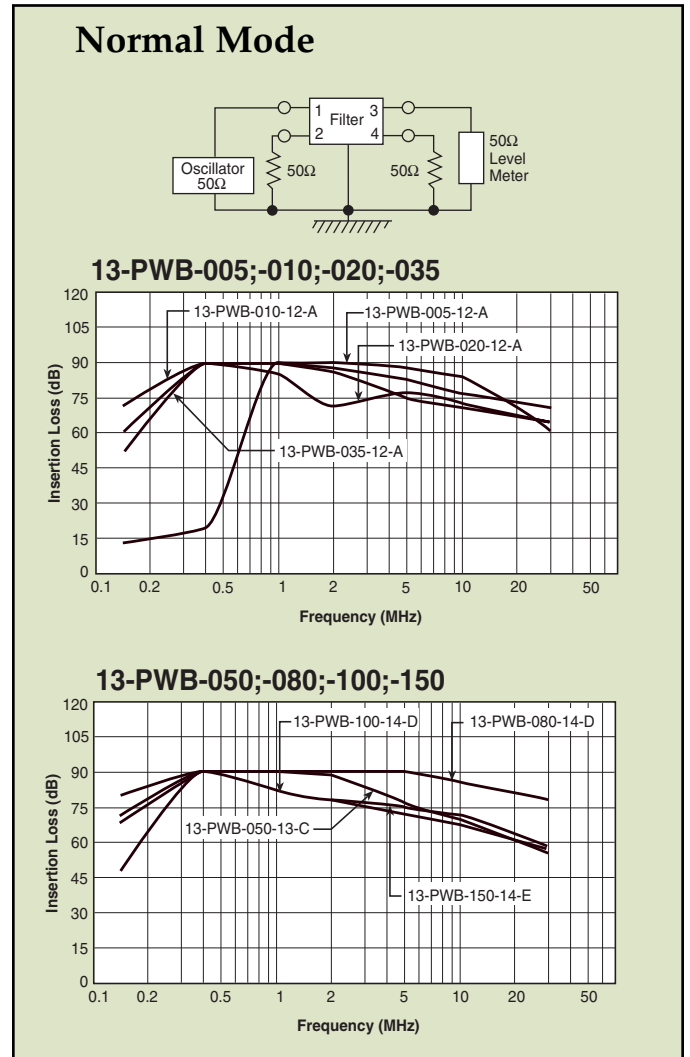
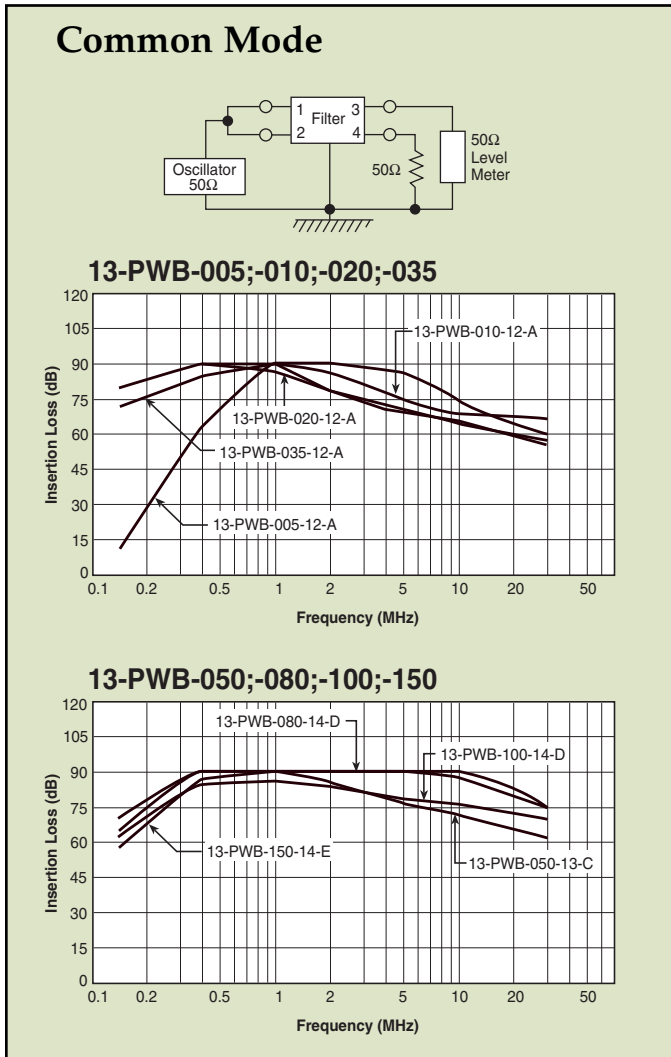
## 13-PWB Series



### Dimensions

Dimensions in inches (mm)

Model	A	B	C	D	E	F	G	H	I	J	K	M	N	P	L		
13-PWB-005-12-A	7.2 (184)	6.3 (160)	7.9 (202)	2.4 (60)	1.7 (44)	3.5 (86)	.70 (18)	2.3 (58)	M4	1.5 (38)	-	-	-	M4	.25 x .37 (6.4 x 9.4)		
13-PWB-010-12-B	9.6 (243)	8.7 (220)	10.3 (261)			3.9 (100)	.98 (25)			3.5 (90)					1.8 (45)	M6	2.3 (58)
13-PWB-020-12-B				2.4 (60)	1.5 (38)	M6		.25 x .38 (6.4 x 9.6)									
13-PWB-035-12-C				3.1 (81)	3.8 (96)			4.9 (125)	M8		2.4 (62)	3.4 (86)	2.2 (56)	M8	.25 x .38 (6.4 x 9.7)		
13-PWB-050-13-C	7.5 (190)	8.7 (220)	1.4 (35)	3.9 (100)	2.4 (61)	M8	.25 x .38 (6.4 x 9.8)										
13-PWB-080-14-D	13.9 (354)	12.6 (320)	15.1 (384)	3.9 (99)	6.1 (155)		7.3 (185)	1.2 (30)	M8	M4	3.4 (86)	2.2 (56)	M8	.25 x .39 (6.4 x 9.9)			
13-PWB-100-14-D					7.5 (190)	8.7 (220)	1.4 (35)	3.9 (100)						M8	2.4 (61)	M8	.25 x .36 (6.4 x 9.10)
13-PWB-150-14-E					7.5 (190)	8.7 (220)	1.4 (35)	3.9 (100)									M8





# Power Line Filters Three Phase

High Performance



## 13-PDB Series

### Features

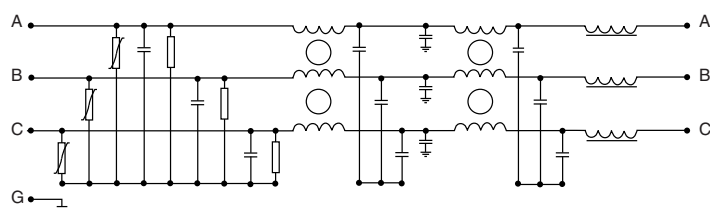
- Excellent attenuation for high voltage impulse
- Metal case provides effective EMI shielding
- Epoxy molded for internal component reliability
- Excellent filtering characteristics for both normal and common mode
- Various current ratings available: from 5 to 200 Amps
- Operating temperature: -40°C to +85°C
- Designed for 3-phase, 3-line connection systems

### Applications

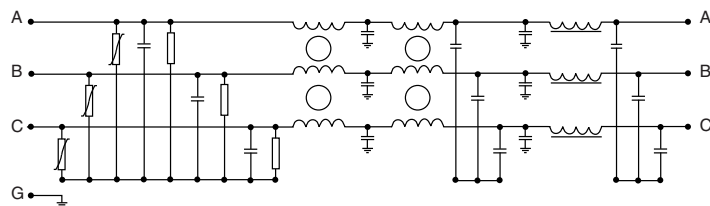
- Digital equipment
- Industrial equipment (UPS, inverters and converters)

## Circuit Diagram

Circuit 1



Circuit 2



## Specifications

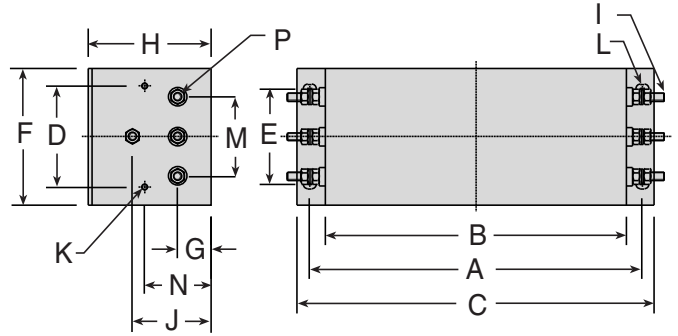
Model	Rated Voltage (@ 50/60Hz)	Rated Current	Leakage Current (Max.)	Circuit Diagram	Temperature Rise (Max.)		
13-PDB-005-12-A	480/277VAC	5A	4.5mA	1	30°C		
13-PDB-010-12-A		10A					
13-PDB-020-12-B		20A					
13-PDB-035-12-B		35A					
13-PDB-050-12-B		50A					
13-PDB-080-13-C		80A	9.0mA	1			
13-PDB-100-14-C		100A					
13-PDB-150-14-C		150A					
13-PDB-200-14-D		150A				20mA	2
		200A					

Note: Test Voltage 2250VDC one minute, line to ground.  
Insulation Resistance: 500MΩ.

# Power Line Filters Three Phase

High Performance

## 13-PDB Series

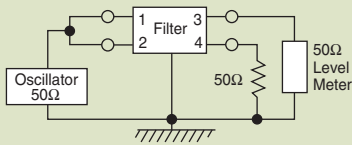


## Dimensions

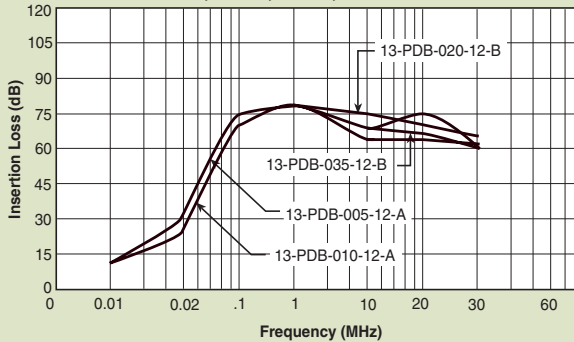
Dimensions in inches (mm)

Model	A	B	C	D	E	F	G	H	I	J	K	M	N	P	L								
13-PDB-005-12-A	7.2 (184)	6.3 (160)	7.9 (202)	1.6 (42)	2.4 (60)	3.3 (86)	.70 (18)	2.3 (58)	M4	1.5 (38)	-	-	-	M4	.25 x .37 (6.4 x 9.4)								
13-PDB-010-12-A															.25 x .37 (6.4 x 9.5)								
13-PDB-020-12-B															.25 x .38 (6.4 x 9.6)								
13-PDB-035-12-B	9.6 (243)	8.7 (220)	10.3 (261)	2.3 (58)	2.7 (70)	3.9 (100)	.98 (25)	3.5 (90)	M6	2.3 (58)		2.9 (74)	1.9 (49)	M6	.25 x .38 (6.4 x 9.7)								
13-PDB-050-12-B																.25 x .38 (6.4 x 9.8)							
13-PDB-080-13-C																.25 x .39 (6.4 x 9.9)							
13-PDB-100-14-C	13.9 (354)	12.6 (320)	15.1 (384)	2.5 (66)	6.1 (155)	7.3 (185)	1.2 (30)	3.9 (100)	M8	2.4 (62)	M4	3.3 (86)	2.2 (56)	M8	.25 x .36 (6.4 x 9.10)								
13-PDB-150-14-C																							.25 x .36 (6.4 x 9.11)
13-PDB-200-14-D					7.5 (190)	8.6 (220)	1.4 (35)																2.4 (61)

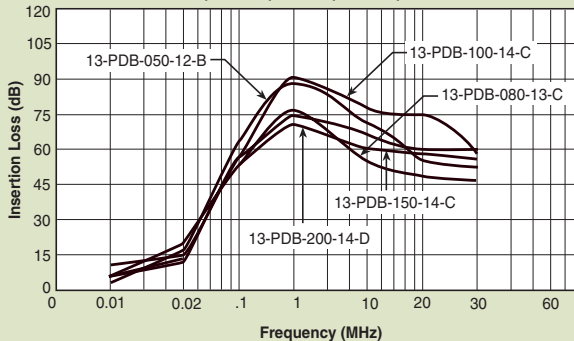
### Common Mode



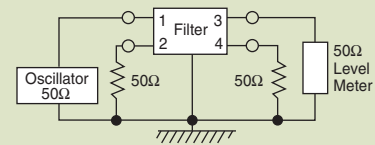
#### 13-PDB-005;-010;-020;-035



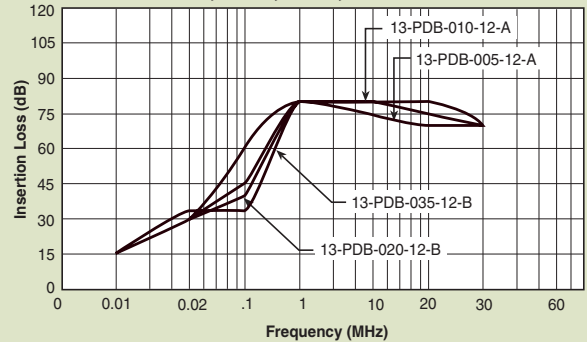
#### 13-PDB-050;-080;-100;-150;-200



### Normal Mode



#### 13-PDB-005;-010;-020;-035



#### 13-PDB-050;-080;-100;-150;-200

