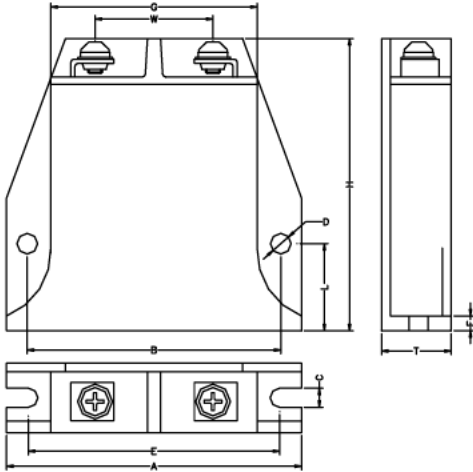


(Type)	(Your Ref.)	(Material No.)	(Design)	(Version)
MYE100-182D		D80K1000-K6-E001	MYE	D-1

(Physical parameters)		(Unit) : (mm)		
	A	(±2.0)	135.0	
	B	(±2.0)	113.5	
	H	(±2.0)	119.5	
	L	(±2.0)	50.0	
	D	(±1.0)	7.0	
	W	(±2.0)	49.5	
	T	(±2.0)	28.0	
	C	(±1.0)	7.0	
	E	(±2.0)	114.0	
	F	(±1.0)	5.0	
G	(±2.0)	96.0		
(Marking) <div style="border: 1px solid black; padding: 5px; width: fit-content;"> KVR MYE100-182 </div>		(Lead pin)	(Tin Plated Brass)	
(Coating)	(non-flammable housing)		(Weight), g	719.5

(Electrical parameters)	
Varistor voltage (V_{1mA})	1620V ~ 1800 V ~ 1980V
Max. continuous operating voltage	V_{rms} : 1000 V; V_{DC} : 1465V
Rated power	2.0W
Max. clamping voltage (8/20 μ s)	V_C : 2970V; I_C : 800A
Surge current (1 \times 8/20 μ s)	100000 A (8/20 μ s)
Max. energy	3900J (2ms)
Typical capacitance	4400pF (1KHz)
Leakage current	$\leq 40\mu A$ (75% of V_{1mA} (DC))
Operating temperature	-40 $^{\circ}C$ ~ +85 $^{\circ}C$
Storage temperature	-55 $^{\circ}C$ ~ +125 $^{\circ}C$

(Packing)	<input type="checkbox"/>	Bulk	----pcs/bag	-----pcs/box	-----pcs/carton
	<input checked="" type="checkbox"/>	Box	----pcs/ bag	2pcs/box	24pcs/carton

(Confirmed by client)

Authorized Signature:

(Approved)

Authorized Signature:

Date

