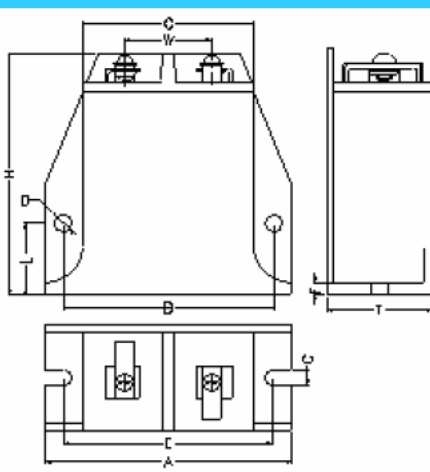
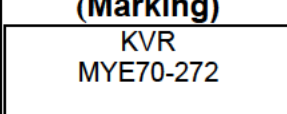


(Type)	(Your Ref.)	(Material No.)	(Design)	(Version)
MYE70-272F		D60K1700-K6-E003	MYE	D-1

(Physical parameters)		(Unit) : (mm)		
	A	(±2.0)	100.0	
	B	(±1.0)	85.0	
	H	(±2.0)	100.0	
	L	(±1.0)	30.0	
	D	(±1.0)	7.0	
	W	(±1.0)	40.0	
	T	(±2.0)	44.5	
	C	(±1.0)	6.5	
	E	(±2.0)	85.3	
	F	(±1.0)	5.0	
G	(±1.0)	70.0		
(Marking)			(Lead pin)	(Tin Plated Brass)
(Coating)	(non-flammable housing)		(Weight), g	646.0

(Electrical parameters)	
Varistor voltage (V_{1mA})	2430V ~ 2700 V ~ 2970V
Max. continuous operating voltage	V_{rms} : 1700 V; V_{DC} : 2150V
Rated power	1.5W
Max. clamping voltage (8/20 μ s)	V_C : 4300V; I_C : 500A
Surge current (1 \times 8/20 μ s)	70000 A (8/20 μ s)
Max. energy	6000J (2ms)
Typical capacitance	1500pF (1KHz)
Leakage current	$\leq 40\mu A$ (75% of V_{1mA} (DC))
Operating temperature	-40 $^{\circ}C$ ~ +85 $^{\circ}C$
Storage temperature	-55 $^{\circ}C$ ~ +125 $^{\circ}C$

(Packing)	<input type="checkbox"/>	Bulk	----pcs/bag	-----pcs/box	-----pcs/carton
	<input checked="" type="checkbox"/>	Box	----pcs/ bag	1pcs/box	24pcs/carton

(Confirmed by client)

Authorized Signature:

(Approved)

Authorized Signature:

Date

