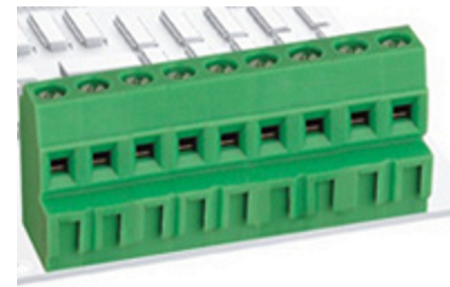
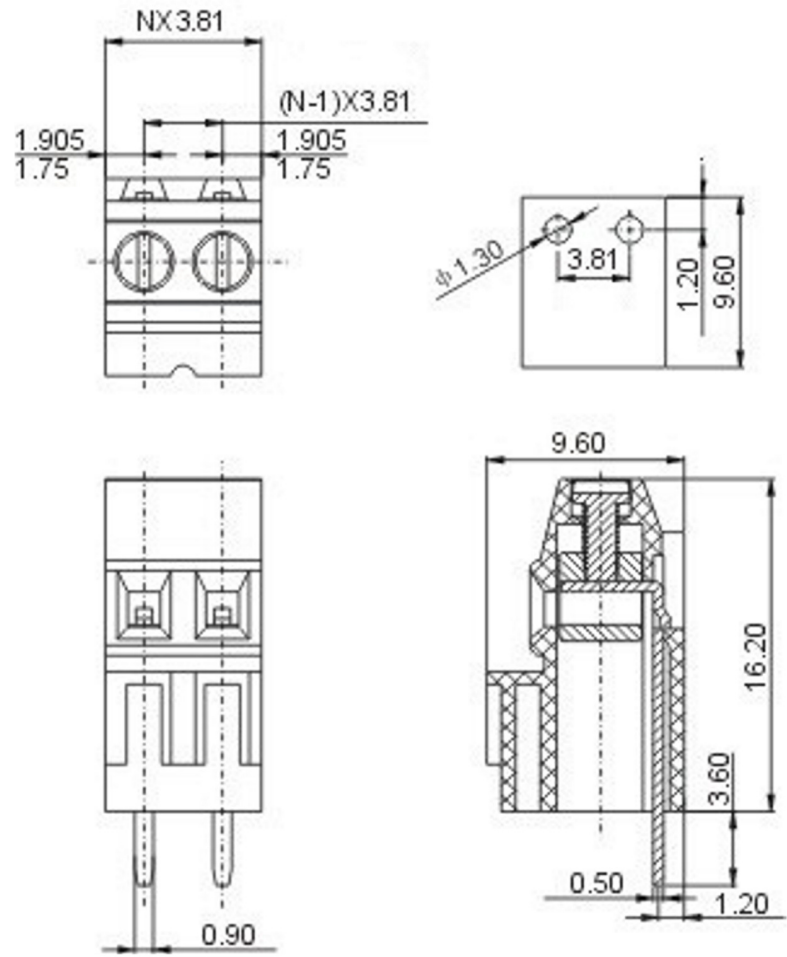


Standard	UL	VDE
Rated voltage	300V	300V
Rated current	15A	20A
Wire range	24-16AWG	1.5mm ²
Withstanding voltage	AC1250V/1Min	
Ambient temperature	-40°C~+105°C	
Strip length	5-6mm	
Torque	0.2Nm(4.4Lb-In.)	
Pitch	3.50 / 3.81 mm(.197")	
Poles	2P , 3P ---Any poles	
Housing	PA66,UL94V-0	
Screws	M2.0,steel,Cr ³⁺ Zn plated	
Solder Pins	Brass, Tin plated	
Contact Cage	Brass, Ni plated	



RoHS Compliant		SCHMID-M	
APPD.	SCALE	TOLERANCE	PART NAME
DWG. GRAY	UNIT M M	.0 ± .00 ± ANG. ±	Terminal Block, Screw Clamp Style, Hor. Cond., Pitch 3,81mm, PCB Straight, XX..... Nr. Pins
DATE 2014/01/30	PAGE 1 OF 1	SIZE A 4 REV. A	PART NO SM C09 138381 XX SS4-H