

1

2

3

4

5

6

7

8

A



B

C

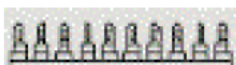


D

E

F

G

H

Wire Size	24-12AWG	0.2 - 4.0mm <sup>2</sup>
T/W/End plate	8.2/72.5/-mm	
Height	56.5/64/61.5mm	
Rated surge voltage/Contamination class	6KV/3	
Stripping length	8mm	
Screw thread/Tightening torque	M3/0.5N.m/4.5Lb-in	
Internal cylindrical gage	A4	
Insulating material/Inflammability class	PAV-0	
<b>Specification</b>	<b>Model</b>	<b>Pices</b>
Insertion bridge 	SM C09 EB 2-8	100
	SM C09 EB 3-8	50
	SM C09 EB 10-8	10
Test plug socket insulated 		
Zack strip 	SM C09 ZBB	

A

B

C

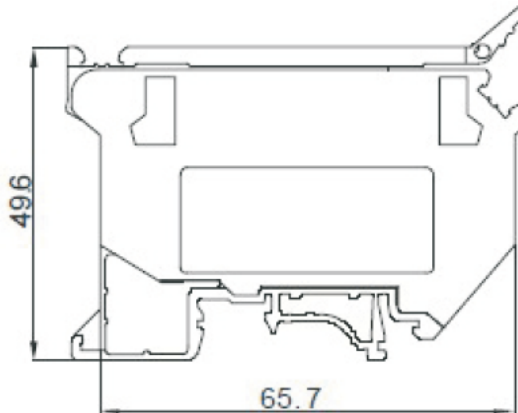
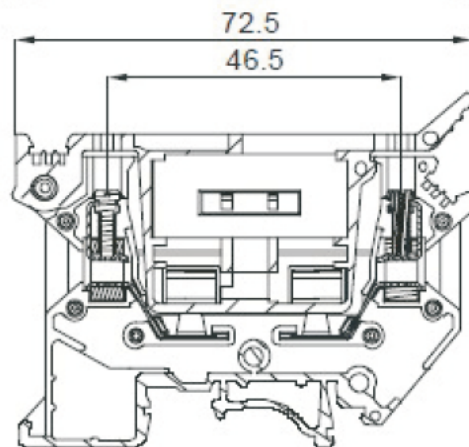
D

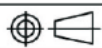
E

F

G

H



RoHS Compliant		<b>SCHMID-M</b>	
APPD.	 SCALE	TOLERANCE	PART NAME
DWG.		X.XX± 0.25 X.X±0.35 ANG. ±	SM C09 UK4-HE Series Screw
DATE	UNIT	SIZE	PART NO.
2013/10	MM	A4	
	PAGE	REV	
	1 OF 1	C	

1

2

3

4

5

6

7

8