

1

2

3

4

5

6

7

8

A

A

B

B

C

C

D

D

E

E

F

F

G

G

H

H

1

2

3

4

5

6

7

8



Rated Voltage	400V
Rated Current	32A
Wire Size	0.8~4.0mm ² / 28~12AWG
Cable Strip Length	9~10mm
Housing	PA66, UL94V-0
Clamping	Stainless Steel
Contact	Brass, Tin Plated



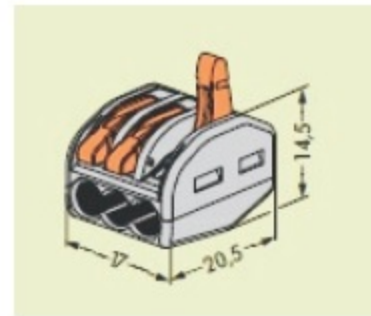
1) Strip wire



2) Push Up Lever



3) Insert Wire and Push off Lever



RoHS
Compliant

SCHMID-M

APPD.		TOLERANCE	XX ± 0.25 XX ± 0.35 ANG. ±
DWG.		SCALE	
DATE	UNIT	SIZE.	A 4 REV. C
2013/10	M M	1 OF 1	

PART NAME
SM C09 35034 03 WC

PART NO.