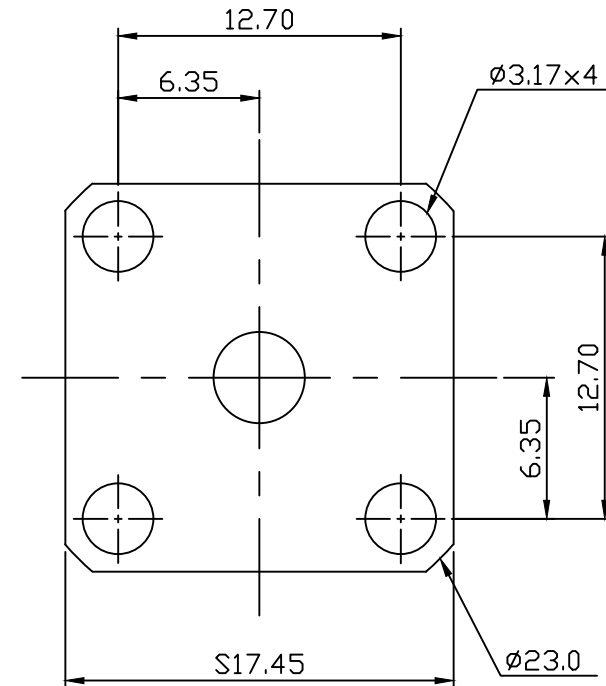
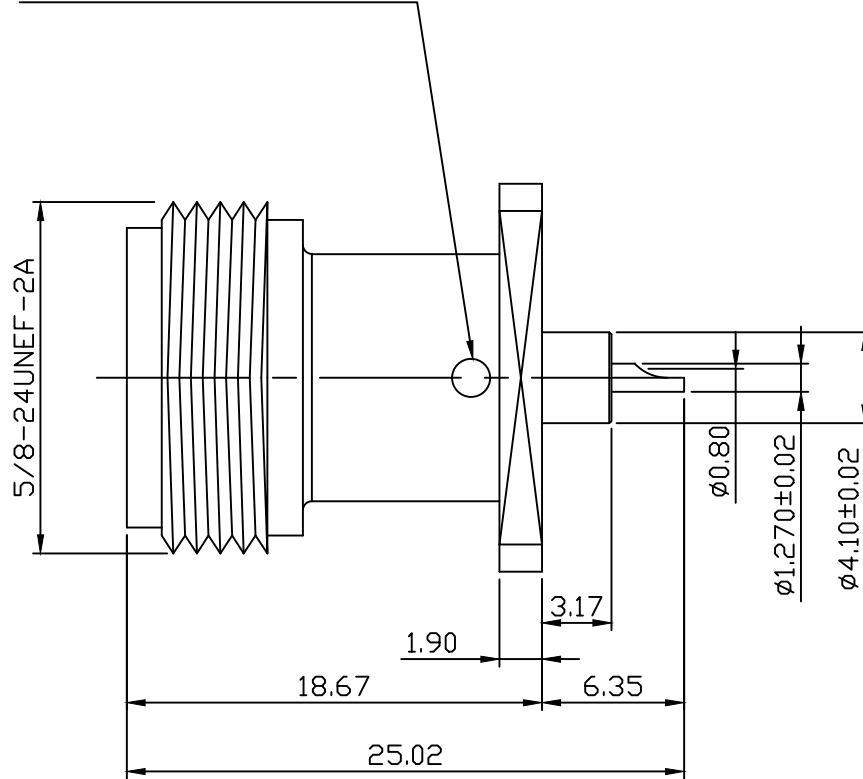


EPDXY CAPTIVATEDx2



TEFMPERATUVE VANGE:
-55 to +85°C

MATERIAL : BODY-BRASS
CONTACT-Be Cu
INSULATOR-TEFLON
FINISH : BODY-SILVER PLATING OVER NICKEL
CONTACT-GOLD PLATING OVER NICKEL

DIMENSIONS ARE IN MILLIMETERS			TOLERANCE		SCHMID-M	
· ×	±0.5	ANGLE ±3°	SCALE	3:1	TITLE N SQUARE FLANGE JACK RECEPTACLE (EXPOSED PTFE)	
· × ×	±0.1		REV	A-0	DRAWING NO N-3213-TGN	
· × × ×	±0.05		DATE 96.05.04		FILE NO	
DRAWN		DATE		APPROVAL		