

ORDER INFORMATION

MODEL FORMAT C2 1 - 2 3 4 5

1 樣式 Style

- B : 按鈕開關 Pushbutton
- L : 照光按鈕開關 Illuminated Pushbutton

2 操作類型 Operator

- V4E : 右旋 / 直拉解除 Pull/Turn to Release
- P4E : 直拉解除 Pull to Release
- T4E : 右旋解除 Turn to Release

3 接點樣式 Contact

- 10 : 1NO
- 01 : 1NC
- 11 : 1NO+1NC 僅 C2B (For C2B)
- 20 : 2NO 僅 C2B (For C2B)
- 02 : 2NC 僅 C2B (For C2B)

4 使用電壓 Operator Voltage

無 (Blank) : 無電壓 Without Voltage Adapter
(僅 C2B, For C2B)

- Q2 : LED 6V AC/DC
- Q3 : LED 12V AC/DC
- Q4 : LED 24V AC/DC
- Q36 : LED 36V AC/DC
- Q48 : LED 48V AC/DC
- Q60 : LED 60V AC/DC
- QH : LED 110V AC/DC
- QM3 : LED 230V AC/DC
- Q22 : LED 220V AC

5 顏色 Color

- R : 僅紅色 Red



Ø22 C2 系列 控制元件

C2B 型 緊急開關 (Emergency Stop Switches)

C2B-V4 緊急開關 - 旋轉拉拔解除蘑菇頭 Φ40mm
(C2B-V4 Emergency Stop Switches-Pull/Turn to Reset Mushroom Φ40mm)

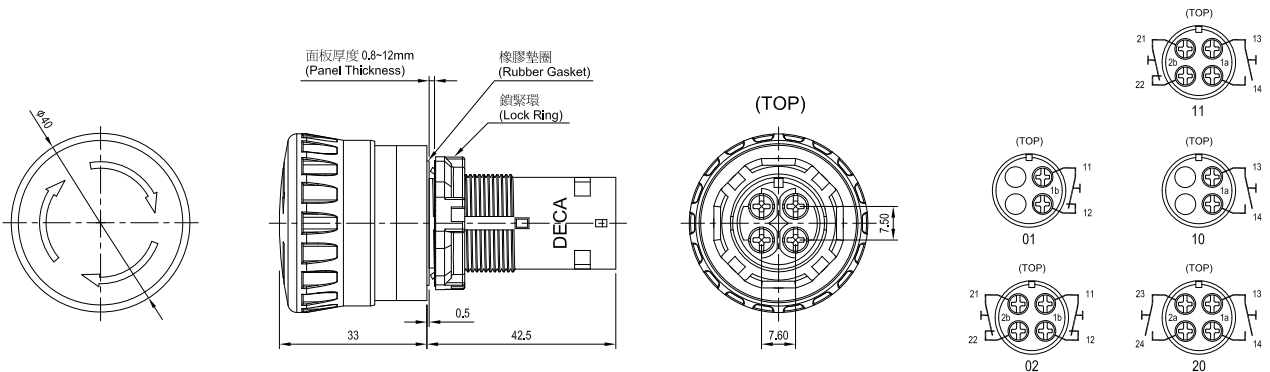
C2B-T4 緊急開關 - 旋轉解除蘑菇頭 Φ40mm
(C2B-T4 Emergency Stop Switches-Turn to Reset Mushroom Φ40mm)



C2B-V4

C2B-T4

操作類型 (Operation)	接點結構 (Contacts)	型號 (訂購型號) (Type No.)	顏色記號 (Colors)	備註 (Notes)
按壓鎖定後拉拔或旋轉解除型 (Pushlock Pull/Turn to Reset)	1NO	C2B-V4E10R	僅紅色 (Red Only)	* 搭配紅色 LED 燈泡 * Red LED lamp only.
	1NC	C2B-V4E01R		
	2NO	C2B-V4E20R		
	2NC	C2B-V4E02R		
	1NO-1NC	C2B-V4E11R		
按壓鎖定後旋轉解除型 (Pushlock Turn to Reset)	1NO	C2B-T4E10R		
	1NC	C2B-T4E01R		
	2NO	C2B-T4E20R		
	2NC	C2B-T4E02R		
	1NO-1NC	C2B-T4E11R		



Ø22 C2 系列 控制元件

C2B 型 緊急開關 (Emergency Stop Switches)

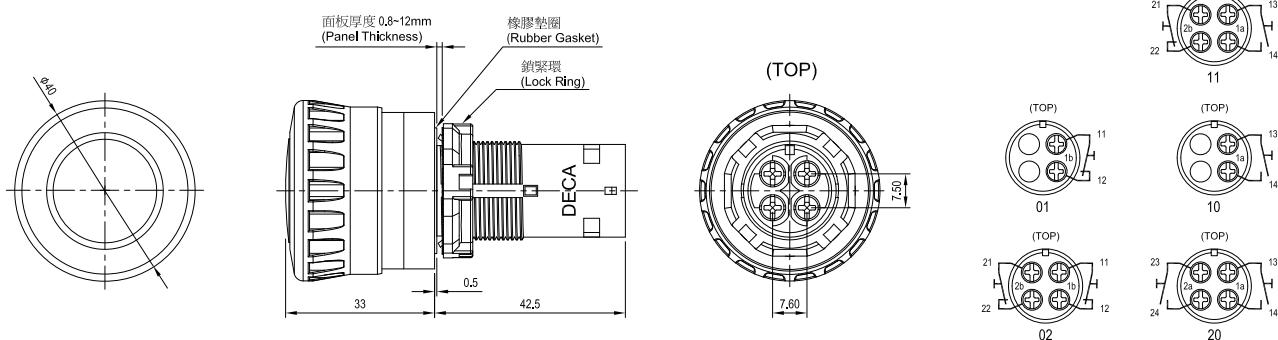
C2B-P4 緊急開關 - 拉拔解除蘑菇頭 $\Phi 40\text{mm}$

(C2B-P4 Emergency Stop Switches-Pull to Reset Mushroom $\Phi 40\text{mm}$)



C2B-P4

操作類型 (Operation)	接點結構 (Contacts)	型號 (訂購型號) (Type No.)	顏色記號 (Colors)	備註 (Notes)
按壓鎖定後 拉拔解除型 (Pushlock Pull to Reset)	1NO	C2B-P4E10R	僅紅色 (Red Only)	* 搭配紅色 LED 燈泡 * Red LED lamp only.
	1NC	C2B-P4E01R		
	2NO	C2B-P4E20R		
	2NC	C2B-P4E02R		
	1NO-1NC	C2B-P4E11R		



Ø22 C2 系列 控制元件

C2L 型 照光緊急開關 (Illuminated Emergency Stop Switches)

C2L-V4 照光緊急開關 - 旋轉拉拔解除蘑菇頭 Φ40mm
 (C2L-V4 Illuminated Emergency Stop Switches-
 Pull/Turn to Reset Mushroom Φ40mm)

C2L-T4 照光緊急開關 - 旋轉解除蘑菇頭 Φ40mm
 (C2L-T4 Illuminated Emergency Stop Switches-
 Turn to Reset Mushroom Φ40mm)

C2L-P4 照光緊急開關 - 拉拔解除蘑菇頭 Φ40mm
 (C2L-P4 Illuminated Emergency Stop Switches-Pull to Reset Mushroom
 Φ40mm)



C2L-V4
C2L-T4

C2L-P4

操作類型 (Operation)	接點結構 (Contacts)	型號 (訂購型號) (Type No.)	使用電壓記號② (Operating Voltage Code ②)	顏色記號 (Colors)
按壓鎖定後拉拔 或旋轉解除型 (Pushlock Pull/Turn to Reset)	1NO	C2L-V4E10Q ② R	2: LED 6V AC/DC 3: LED 12V AC/DC 4: LED 24V AC/DC 36: LED 36V AC/DC 48: LED 48V AC/DC 60: LED 60V AC/DC H: LED 110V AC/DC M3: LED 230V AC/DC 22: LED 220V AC	僅紅色 (Red Only) * 搭配紅色 LED 燈泡 * Red LED lamp only.
	1NC	C2L-V4E01Q ② R		
按壓鎖定後 旋轉解除型 (Pushlock Turn to Reset)	1NO	C2L-T4E10Q ② R		
	1NC	C2L-T4E01Q ② R		
按壓鎖定後 拉拔解除型 (Pushlock Pull to Reset)	1NO	C2L-P4E10Q ② R		
	1NC	C2L-P4E01Q ② R		

