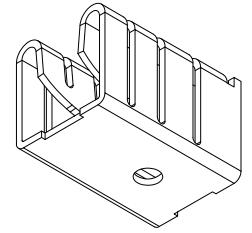
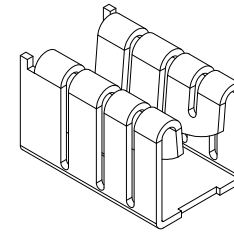
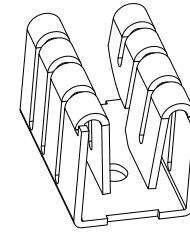
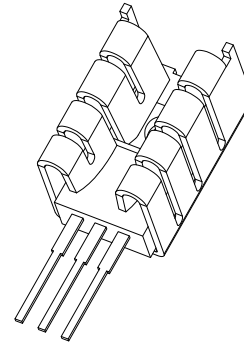
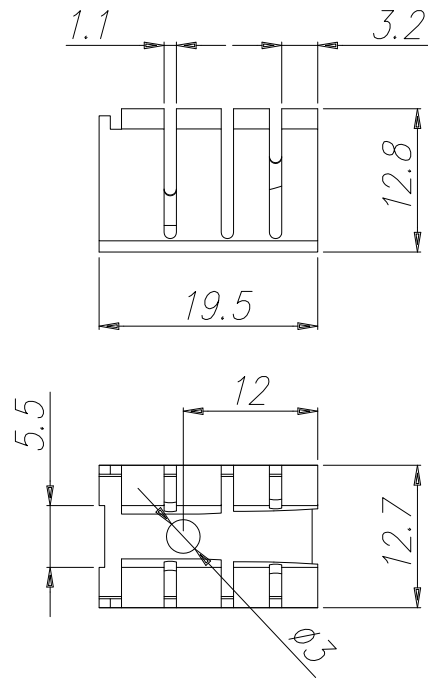
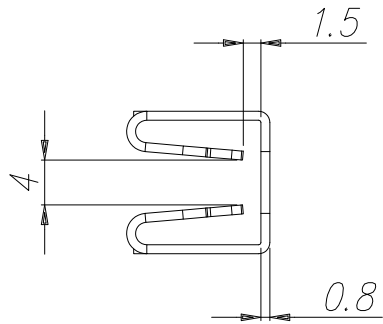


ST - T14

Rt °C/W 19



Aluminium, pre-paint  
Aluminium, pre-black anodized  
Aluminium, raw

**on stock**  
on request  
on request

ATECNODAL  
BOLOGNA - ITALY

ATD Elektronik s.r.o.  
Luženice 10  
344 01 Domažlice  
Tel.: 379 723 915  
Fax: 379 725 868  
www.atd-elektronik.cz  
info@atd-elektronik.cz

