

T130

Peso Kg/m  
Weight Kg/m

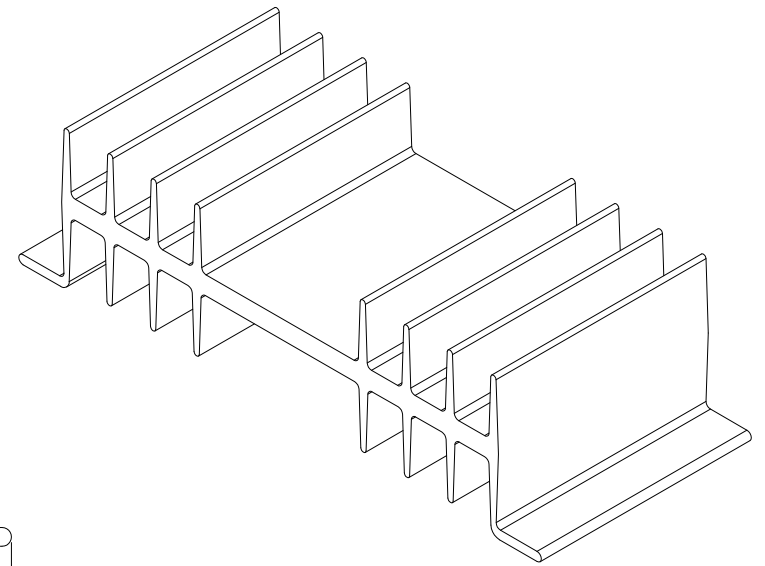
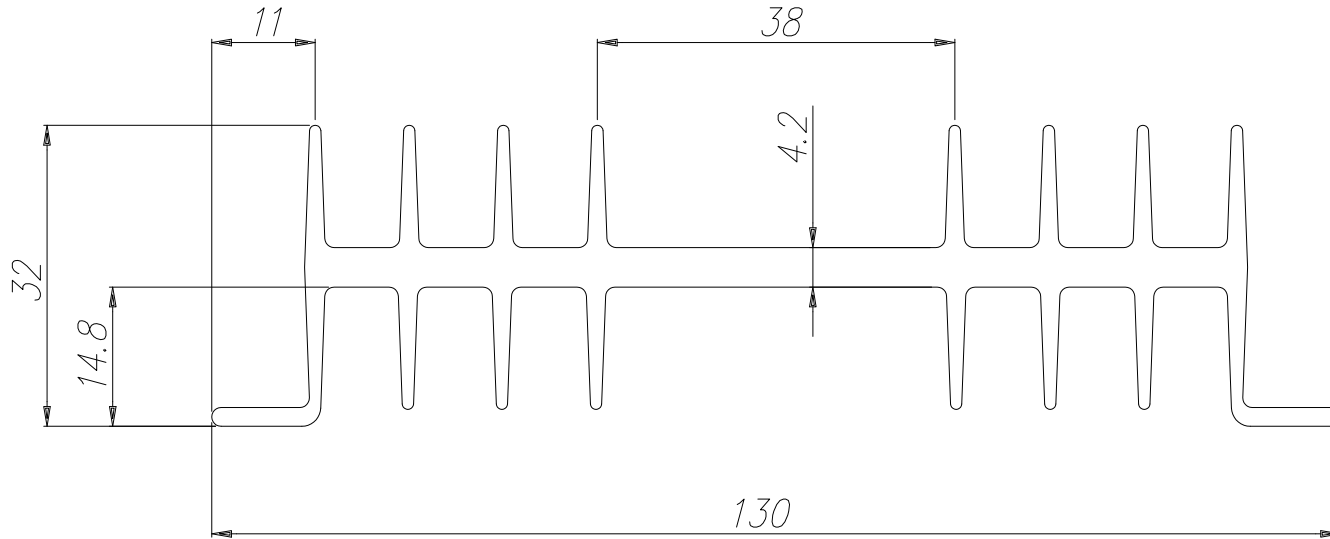
2.47

Rt °C/W

1.8

Lung. campione mm  
Sample length mm

100



**A**TECNOAL  
BOLOGNA - ITALY



ATD Elektronik s.r.o.  
Luženice 10  
344 01 Domažlice  
Tel.: 379 723 915  
Fax: 379 725 868  
[www.atd-elektronik.cz](http://www.atd-elektronik.cz)  
[info@atd-elektronik.cz](mailto:info@atd-elektronik.cz)

**A**TECNOAL  
MECHANICAL ENGINEERING FOR ELECTRONICS

COMPANY  
WITH QUALITY MANAGEMENT  
SYSTEM CERTIFIED BY DNV  
= ISO 9001 : 2000 =