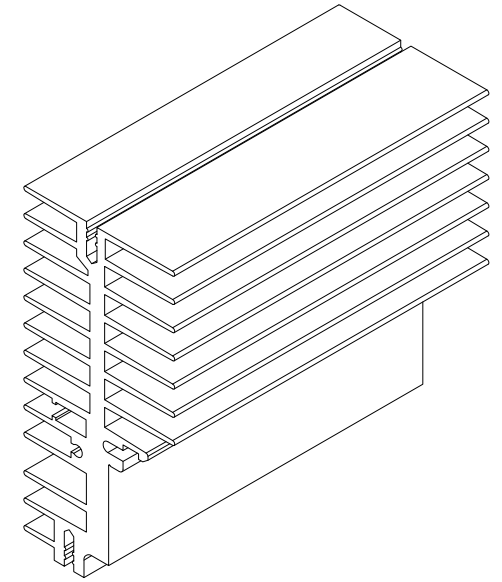
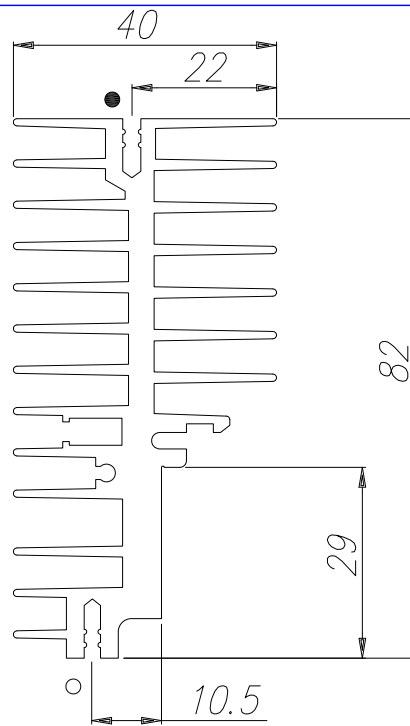


**A82M**

Peso Kg/m **2.55**  
Weight Kg/m

Rt °C/W **1.65**

Lung. campione mm **100**  
Sample length mm



**ATECNOAL**  
BOLOGNA - ITALY

- ○ Cava per autofilettante
- ○ Groove for Self-tapping

### Notes:

-----  
-----  
-----  
-----  
-----  
-----  
-----  
-----  
-----  
-----  
-----

**ATECNOAL**  
MECHANICAL ENGINEERING FOR ELECTRONICS

ATD Elektronik s.r.o.  
Luženice 10  
344 01 Domažlice  
Tel.: 379 723 915  
Fax: 379 725 868  
www.atd-elektronik.cz  
info@atd-elektronik.cz

COMPANY  
WITH QUALITY MANAGEMENT  
SYSTEM CERTIFIED BY DNV  
= ISO 9001 : 2000 =

