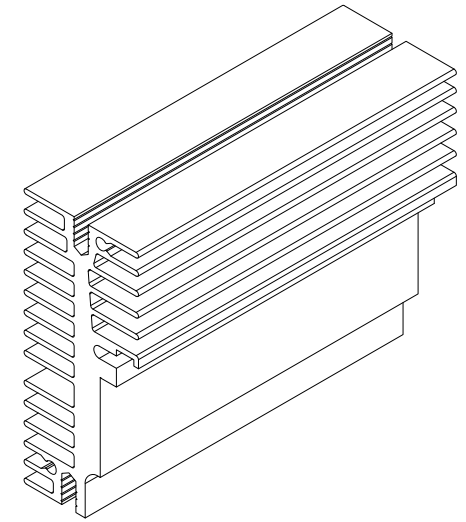
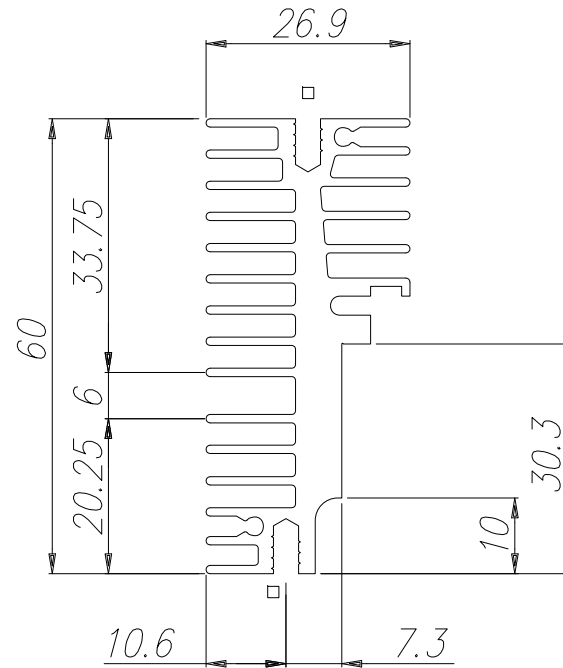


A60M

Peso Kg/m **1.54**
Weight Kg/m

Rt °C/W **3.00**

Lung. campione mm **100**
Sample length mm



- Cava per M4
- Groove for screw M4

ATECNOAL
BOLOGNA - ITALY

ATECNOAL
MECHANICAL ENGINEERING FOR ELECTRONICS

ATD Elektronik s.r.o.
Lužnice 10
344 01 Domažlice
Tel.: 379 723 915
Fax: 379 725 868
www.atd-elektronik.cz
info@atd-elektronik.cz

COMPANY
WITH QUALITY MANAGEMENT
SYSTEM CERTIFIED BY DNV
= ISO 9001 : 2000 =

Notes:

ATD
ELEKTRONIK s.r.o.