

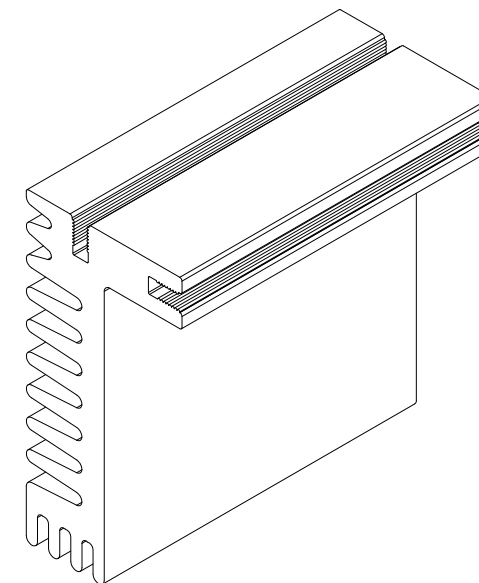
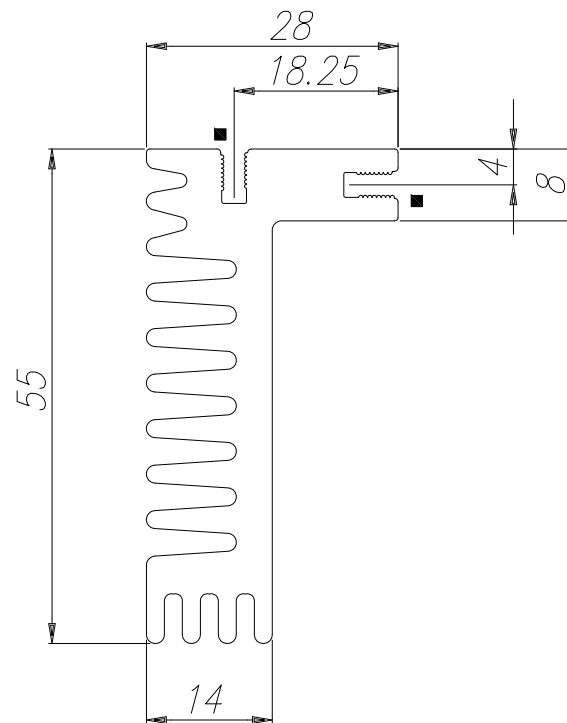
A55

Peso Kg/m  
Weight Kg/m 1.70

Rt °C/W 3.5

Lung. campione mm  
Sample length mm 100

- Cava per M3
- Groove for screw M3



**ATECNOAL**  
BOLOGNA - ITALY

**ATECNOAL**  
MECHANICAL ENGINEERING FOR ELECTRONICS

ATD Elektronik s.r.o.  
Luženice 10  
344 01 Domažlice  
Tel.: 379 723 915  
Fax: 379 725 868  
www.atd-elektronik.cz  
info@atd-elektronik.cz

COMPANY  
WITH QUALITY MANAGEMENT  
SYSTEM CERTIFIED BY DNV

— ISO 9001 : 2000 —

Notes:

-----  
-----  
-----  
-----  
-----  
-----  
-----  
-----  
-----  
-----  
-----

**ATD**  
ELEKTRONIK s.r.o.