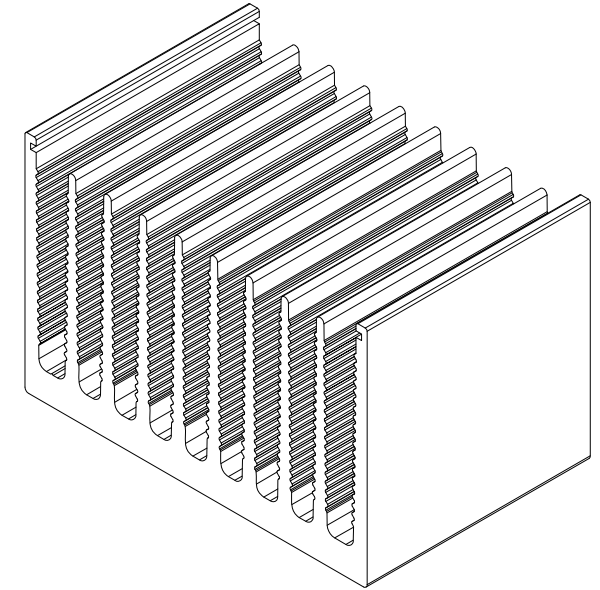
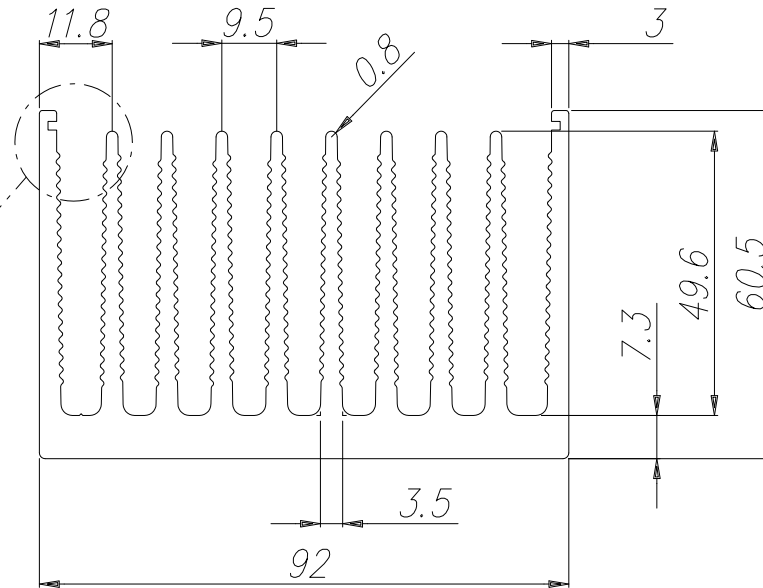
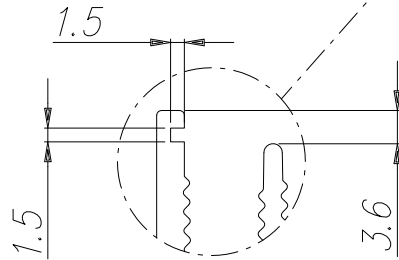


K92

Peso Kg/m **5.58**
Weight Kg/m

Rt °C/W **1.16**

Lung. campione mm **100**
Sample length mm



Ventilazione forzata
Forced ventilation

Rt °C/W **0.160**

Velocità dell'aria in uscita (m/sec) **5.0**
Outgoing air speed (m/sec)

Lung. campione mm **100**
Sample length mm

ATECNOAL
BOLOGNA - ITALY

ATECNOAL
MECHANICAL ENGINEERING FOR ELECTRONICS

ATD Elektronik s.r.o.
Luženice 10
344 01 Domažlice
Tel.: 379 723 915
Fax: 379 725 868
www.atd-elektronik.cz
info@atd-elektronik.cz

COMPANY
WITH QUALITY MANAGEMENT
SYSTEM CERTIFIED BY DNV
= ISO 9001 =

Notes:

