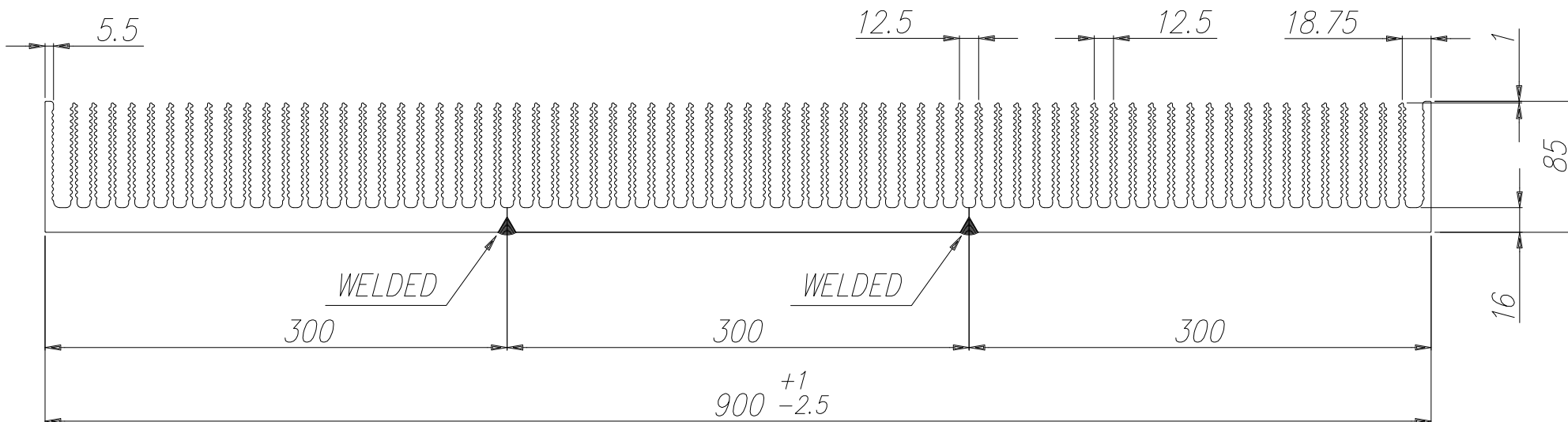


K900**Peso Kg/m**
Weight Kg/m 79.50**Rt °C/W 0.086****Lung. campione mm**
Sample length mm 150**A TECNOAL**
BOLOGNA - ITALY**A TECNOAL**
MECHANICAL ENGINEERING FOR ELECTRONICS**TECNOAL**

Via C. Bonazzi 19-21
40013 Castel Maggiore
Bologna - Italy
Tel : +39-051-7092301
Fax: +39-051-702335
web: www.tecnoal.it
e-mail: info@tecnoal.it

COMPANY
WITH QUALITY MANAGEMENT
SYSTEM CERTIFIED BY DNV

≡ ISO 9001 ≡

Notes:

