

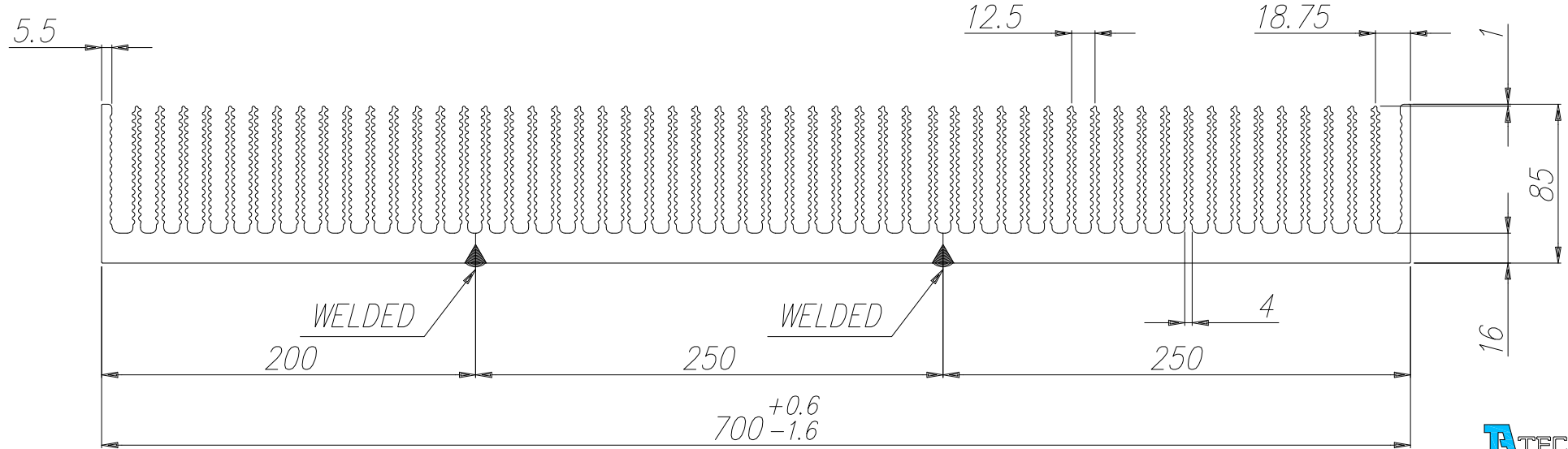
K700

Peso Kg/m  
Weight Kg/m

62.00

Rt °C/W 0.096

Lung. campione mm  
Sample length mm 150



**ATECNOAL**  
BOLOGNA - ITALY

**ATECNOAL**  
MECHANICAL ENGINEERING FOR ELECTRONICS

Notes:

ATD Elektronik s.r.o.  
Luženice 10  
344 01 Domažlice  
Tel.: 379 723 915  
Fax: 379 725 868  
www.atd-elektronik.cz  
info@atd-elektronik.cz

COMPANY  
WITH QUALITY MANAGEMENT  
SYSTEM CERTIFIED BY DNV  
= ISO 9001 =

**ATD**  
ELEKTRONIK s.r.o.