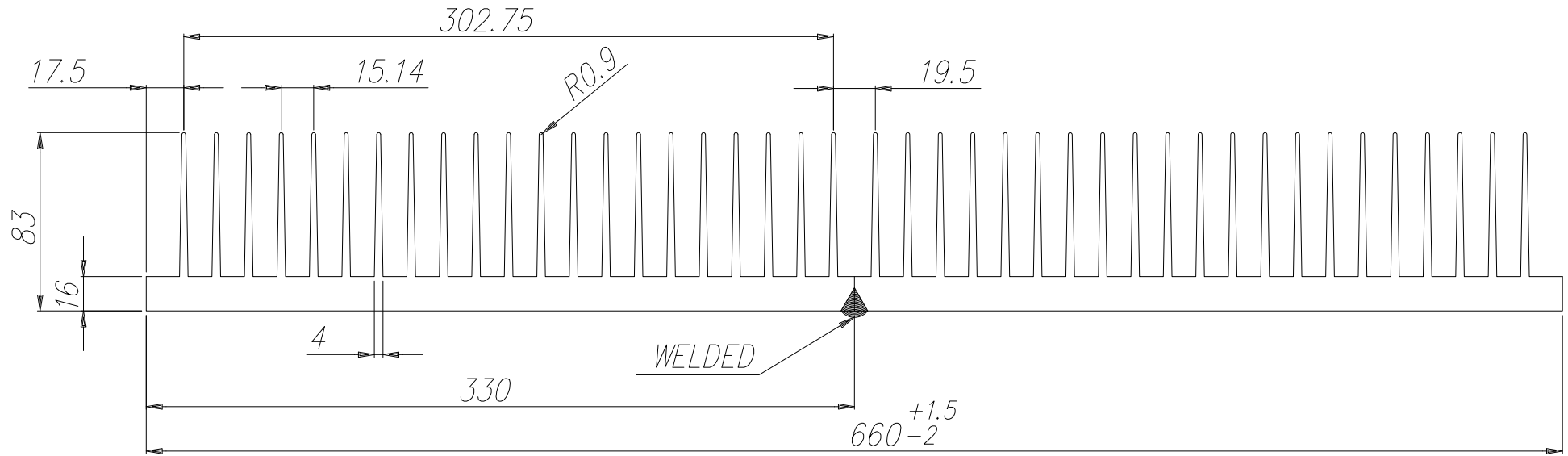


K660

Peso Kg/m  
Weight Kg/m 50.40

Rt °C/W 0.08

Lung. campione mm  
Sample length mm 200



**A**TECNOAL  
BOLOGNA - ITALY

**A**TECNOAL  
MECHANICAL ENGINEERING FOR ELECTRONICS

**TECNOAL**

Via C. Bonazzi 19-21  
40013 Castel Maggiore  
Bologna - Italy  
Tel : +39-051-7092301  
Fax: +39-051-702335  
web: [www.tecnoal.it](http://www.tecnoal.it)  
e-mail: [info@tecnoal.it](mailto:info@tecnoal.it)

COMPANY  
WITH QUALITY MANAGEMENT  
SYSTEM CERTIFIED BY DNV

≡ ISO 9001 ≡

Notes:

-----  
-----  
-----  
-----  
-----  
-----  
-----  
-----  
-----  
-----  
-----

**ATD**  
ELEKTRONIK s.r.o.