

K550

Peso Kg/m  
Weight Kg/m

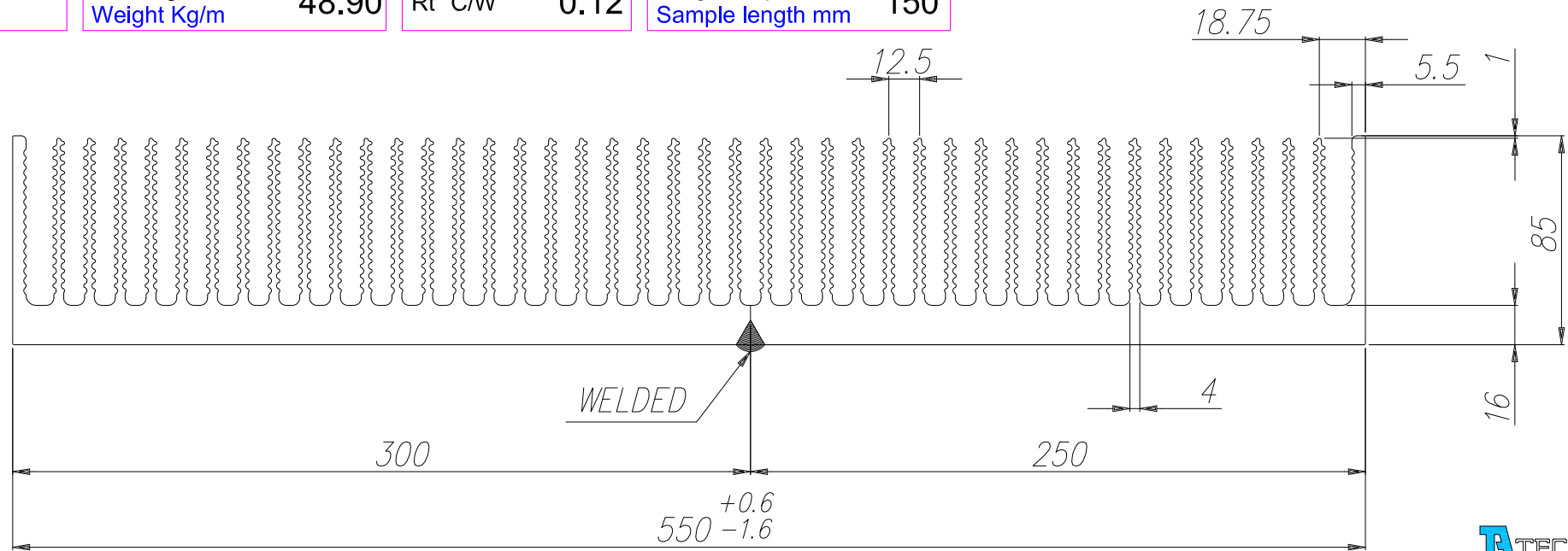
48.90

Rt °C/W

0.12

Lung. campione mm  
Sample length mm

150



**A**TECNOAL  
BOLOGNA - ITALY

**A**TECNOAL  
MECHANICAL ENGINEERING FOR ELECTRONICS

Notes:

ATD Elektronik s.r.o.  
Lužnice 10  
344 01 Domažlice  
Tel.: 379 723 915  
Fax: 379 725 868  
www.atd-elektronik.cz  
info@atd-elektronik.cz

COMPANY  
WITH QUALITY MANAGEMENT  
SYSTEM CERTIFIED BY DNV  
= ISO 9001 =

**ATD**  
ELEKTRONIK s.r.o.