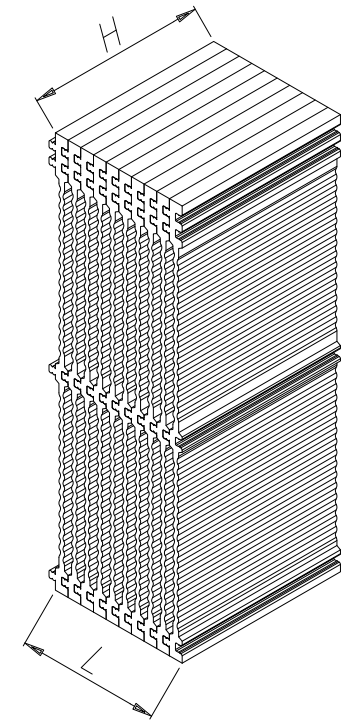
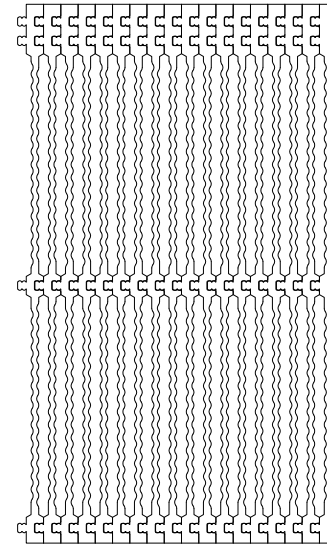
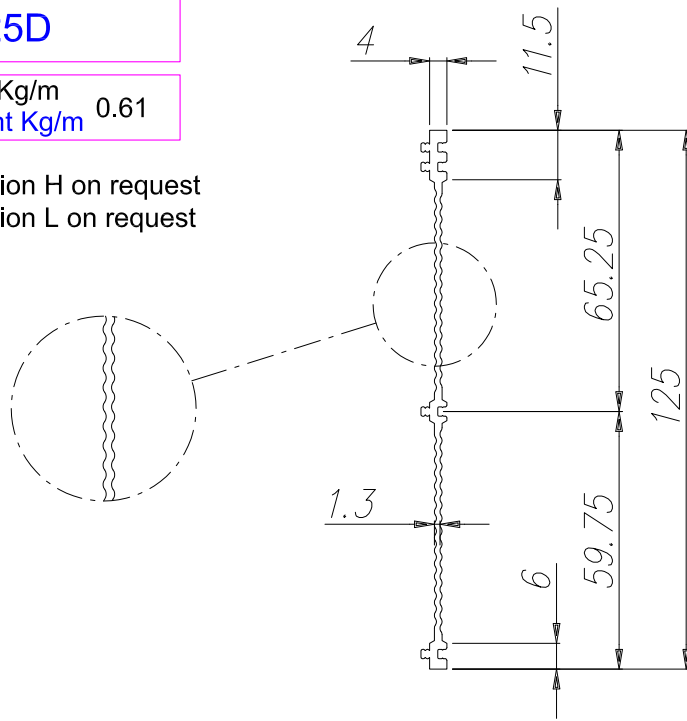


I 125D

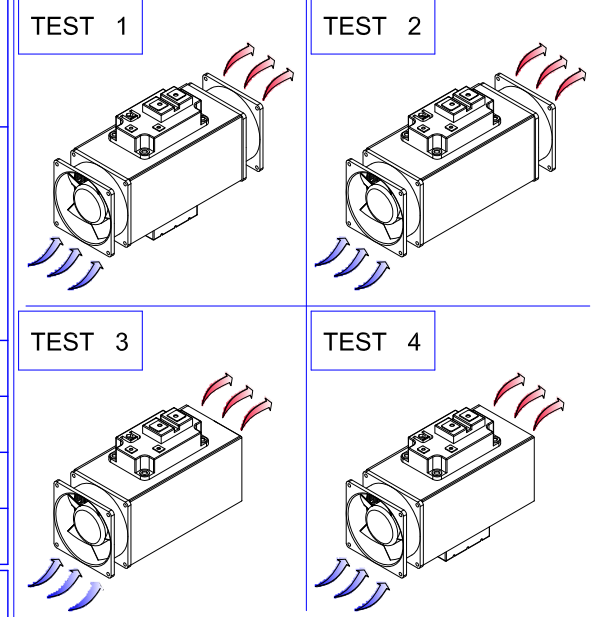
Peso Kg/m 0.61
Weight Kg/m

Dimension H on request
Dimension L on request



DATA SHEET	PART NUMBER	I 125Dx150/300	I	L	H
			125	150	300

PROVA TEST	CARICO PRINCIPALE MAIN POWER LOAD W	CARICO SECONDARIO MINOR POWER LOAD W	VENTOLA 1 FAN 1 TYPE 120x120x40 DC	VENTOLA 2 FAN 2 TYPE 120x120x40 DC	ΔT °C	RT °C/W	VELOCITA' USCITA ARIA OUTGOING AIR SPEED m/sec	D.D.P. mm H ₂ O
1	720	503	*	*	26.0	0.0213	10.0	
2	720		*	*	19.0	0.0264	10.5	
3	720		*		22.0	0.0306	4.5	6.5
4	720	503	*		29.5	0.0241	4.5	6.5



ATD Elektronik s.r.o.
Lužnice 10
344 01 Domažlice
Tel.: 379 723 915
Fax: 379 725 868
www.atd-elektronik.cz
info@atd-elektronik.cz

Notes: _____

