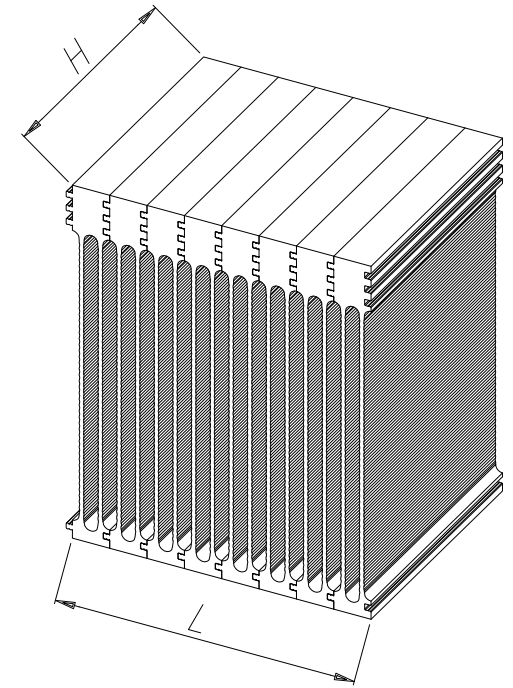
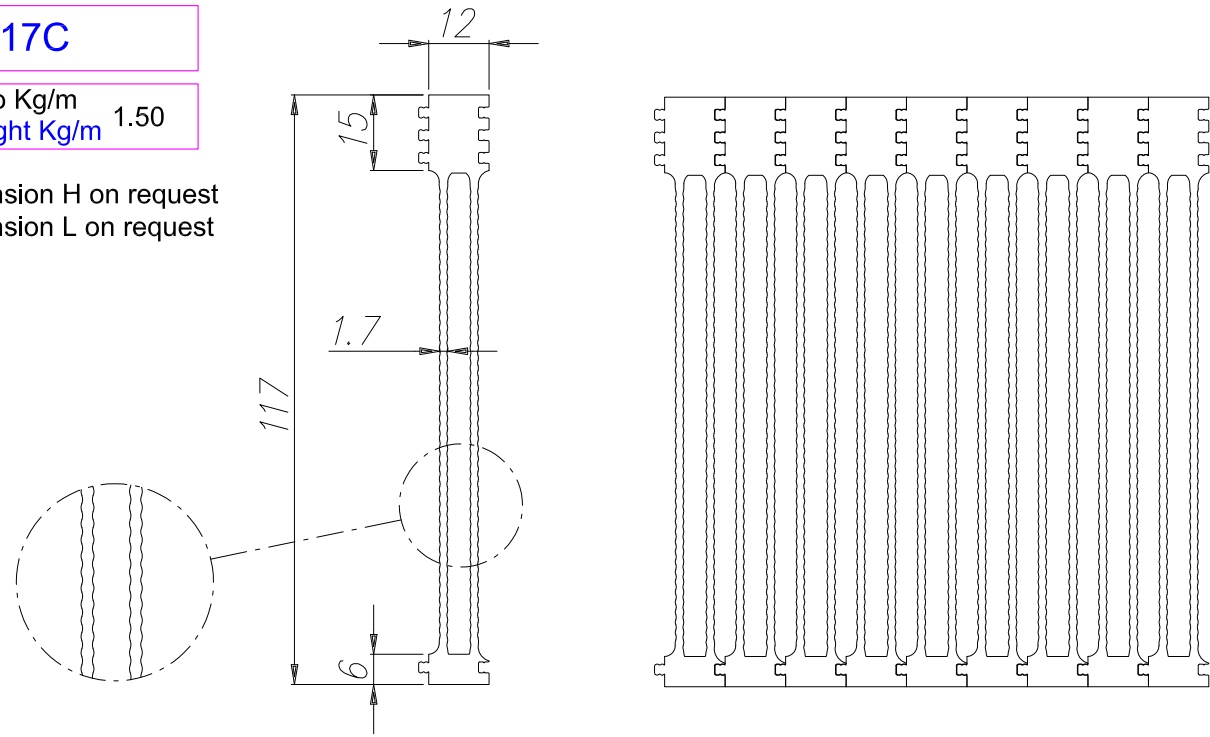


# I 117C

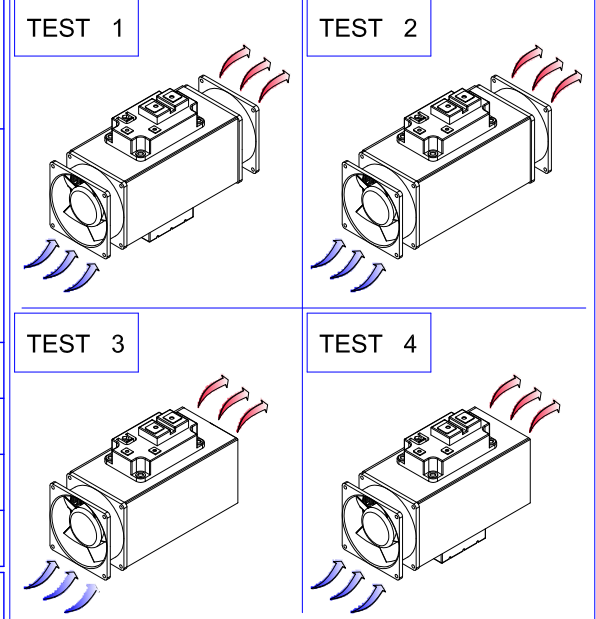
Peso Kg/m 1.50  
Weight Kg/m

Dimension H on request  
Dimension L on request



DATA SHEET	PART NUMBER	I 117x120/200	I	L	H
			117	120	200

PROVA TEST	CARICO PRINCIPALE MAIN POWER LOAD W	CARICO SECONDARIO MINOR POWER LOAD W	VENTOLA 1 FAN 1 TYPE 120x120x40 DC	VENTOLA 2 FAN 2 TYPE 120x120x40 DC	$\Delta T$ °C	RT °C/W	VELOCITA' USCITA ARIA OUTGOING AIR SPEED m/sec	D.D.P. mm H <sub>2</sub> O
1	612	200	*	*	40.5	0.0498	6.0	
2	722		*	*	42	0.0581	6.0	
3	722		*		48	0.0664	4.0	1.5
4	612	200	*		47	0.0578	4.0	1.5



ATD Elektronik s.r.o.  
Lužnice 10  
344 01 Domažlice  
Tel.: 379 723 915  
Fax: 379 725 868  
www.atd-elektronik.cz  
info@atd-elektronik.cz



Notes: \_\_\_\_\_  
\_\_\_\_\_  
\_\_\_\_\_  
\_\_\_\_\_  
\_\_\_\_\_