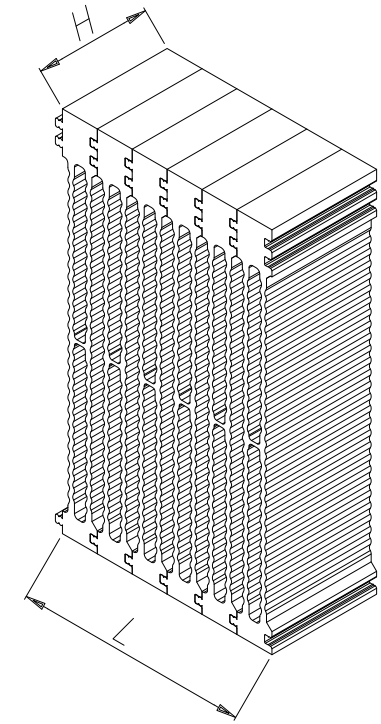
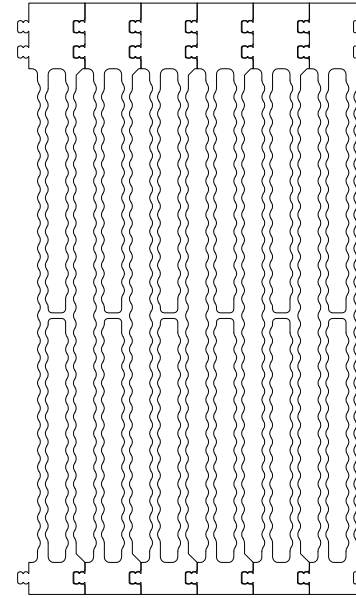
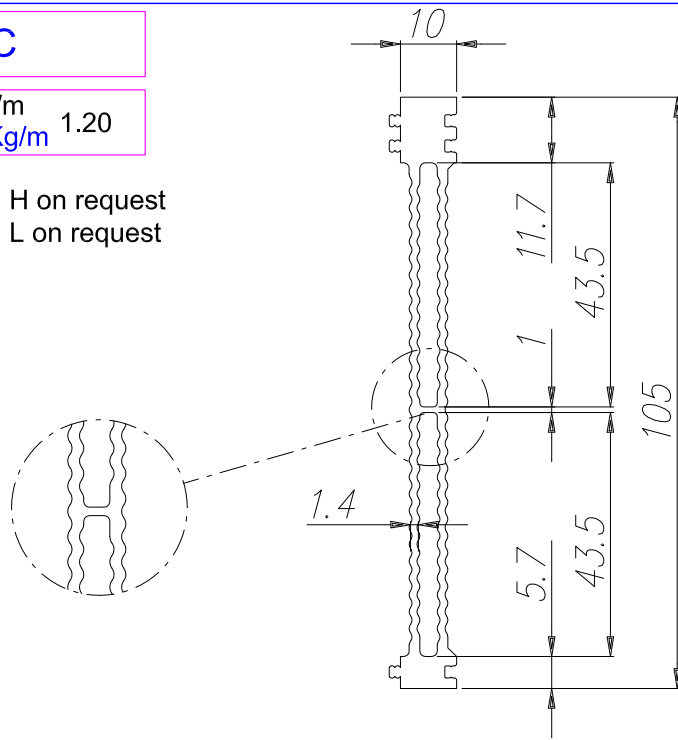


I 105C

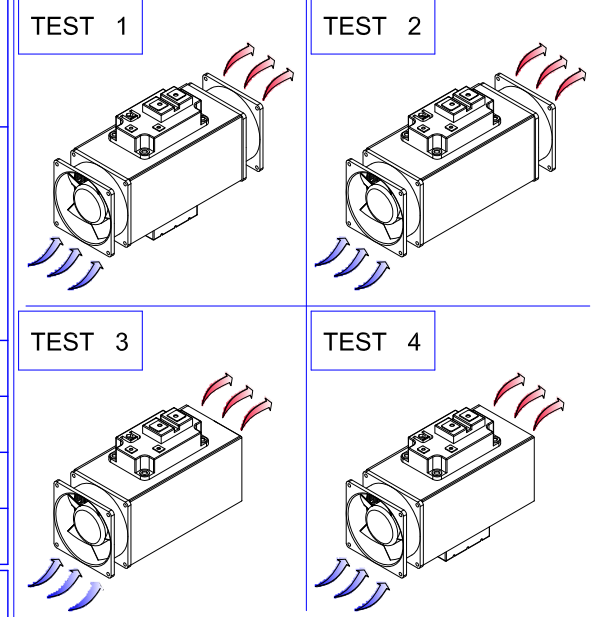
Peso Kg/m 1.20
Weight Kg/m

Dimension H on request
Dimension L on request



DATA SHEET	PART NUMBER	I 105Cx92/180	I	L	H
			105	92	180

PROVA TEST	CARICO PRINCIPALE MAIN POWER LOAD W	CARICO SECONDARIO MINOR POWER LOAD W	VENTOLA 1 FAN 1 TYPE 92x92x38 DC	VENTOLA 2 FAN 2 TYPE 92x92x38 DC	ΔT °C	RT °C/W	VELOCITA' USCITA ARIA OUTGOING AIR SPEED m/sec	D.D.P. mm H ₂ O
1	612	225	*	*	46.5	0.0555	6.0	
2	685		*	*	43.8	0.0639	6.0	
3	685		*		51	0.0744	4.0	1.2
4	612	225	*		55	0.0657	4.0	1.2



ATD Elektronik s.r.o.
Lužnice 10
344 01 Domažlice
Tel.: 379 723 915
Fax: 379 725 868
www.atd-elektronik.cz
info@atd-elektronik.cz



Notes: _____

