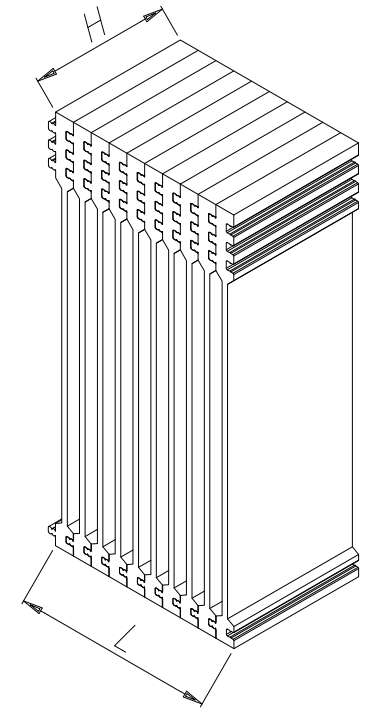
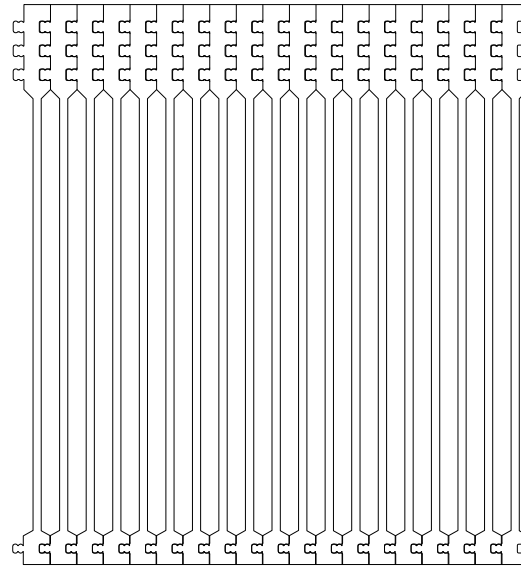
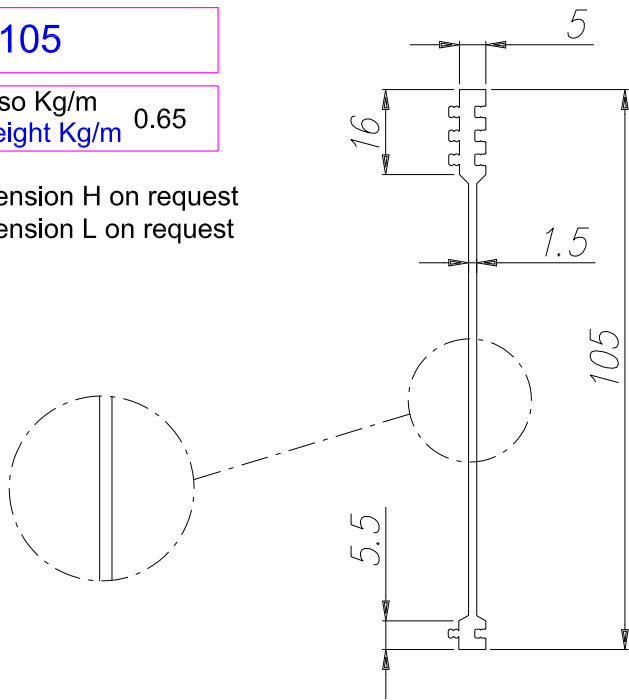


I 105

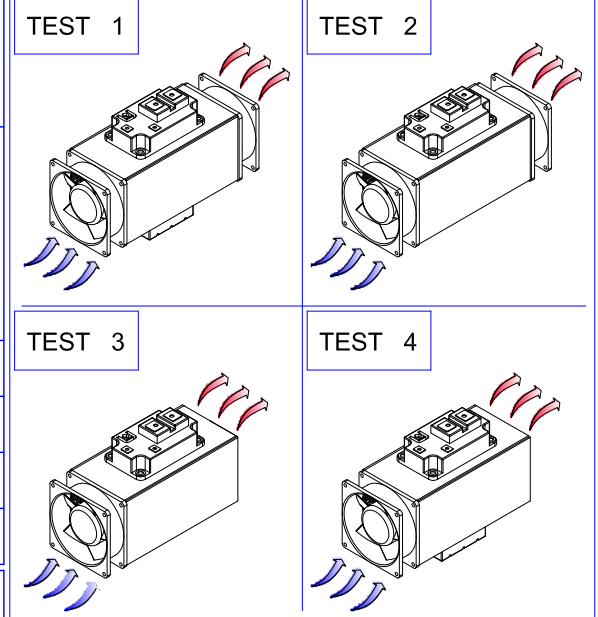
Peso Kg/m 0.65
Weight Kg/m

Dimension H on request
Dimension L on request



DATA SHEET	PART NUMBER	I 105x92/180	I	L	H
			105	92	180

PROVA TEST	CARICO PRINCIPALE MAIN POWER LOAD W	CARICO SECONDARIO MINOR POWER LOAD W	VENTOLA 1 FAN 1 TYPE 92x92x38 DC	VENTOLA 2 FAN 2 TYPE 92x92x38 DC	ΔT °C	RT °C/W	VELOCITA' USCITA ARIA OUTGOING AIR SPEED m/sec	D.D.P. mm H ₂ O
1	490	360	*	*	55	0.0647	7.1	
2	490		*	*	44	0.089	7.1	
3	490		*		49	0.1000	5.2	1.0
4	490	360	*		62	0.0729	5.2	1.0



ATD Elektronik s.r.o.
Lužnice 10
344 01 Domažlice
Tel.: 379 723 915
Fax: 379 725 868
www.atd-elektronik.cz
info@atd-elektronik.cz



Notes: _____

