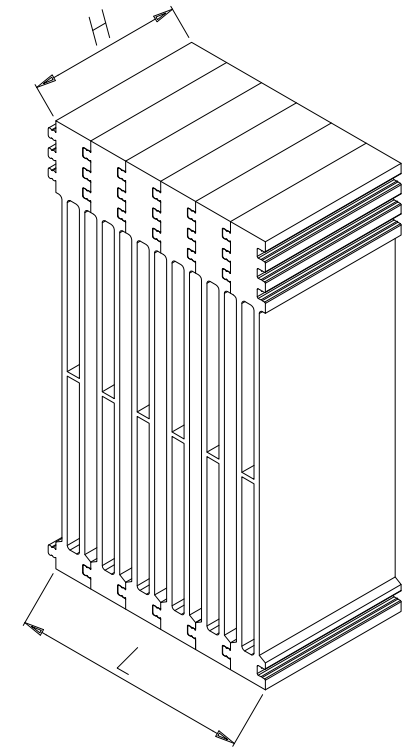
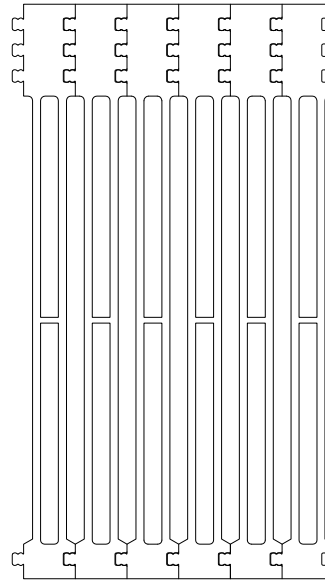
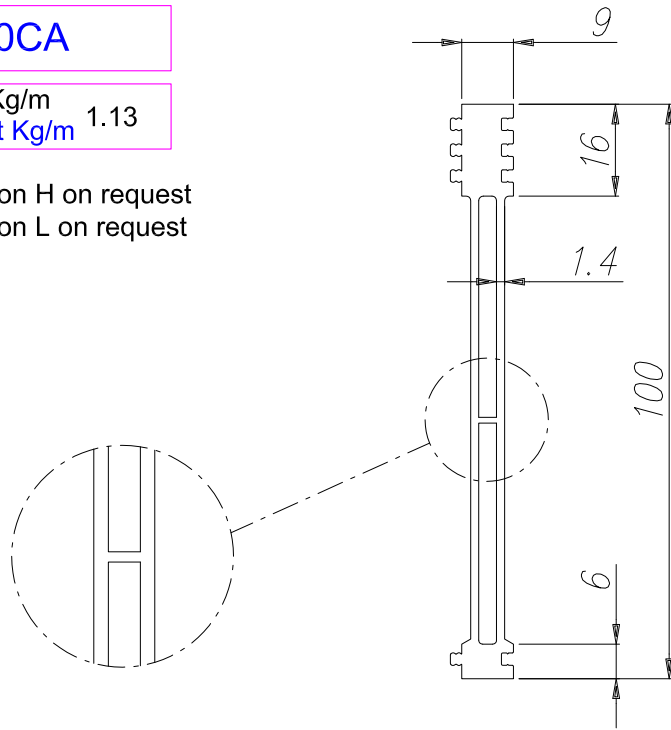


I 100CA

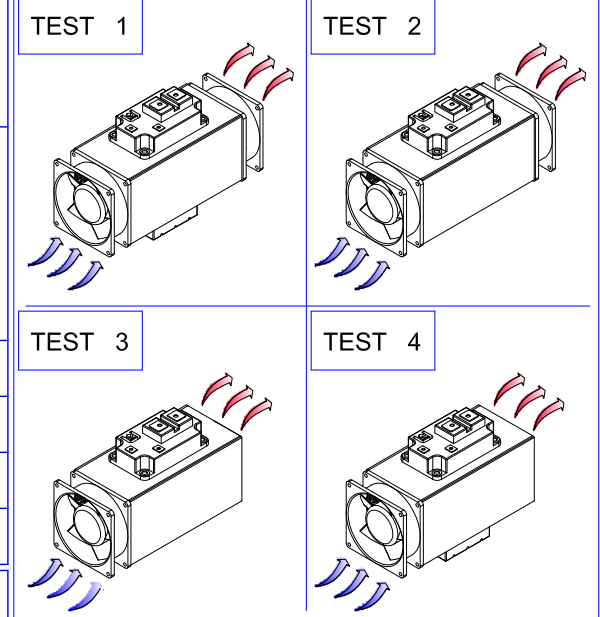
Peso Kg/m 1.13
Weight Kg/m

Dimension H on request
Dimension L on request



DATA SHEET	PART NUMBER	I 100CAx92/180	I	L	H
			100	92	180

PROVA TEST	CARICO PRINCIPALE MAIN POWER LOAD W	CARICO SECONDARIO MINOR POWER LOAD W	VENTOLA 1 FAN 1 TYPE 92x92x38 DC	VENTOLA 2 FAN 2 TYPE 92x92x38 DC	ΔT °C	RT °C/W	VELOCITA' USCITA ARIA OUTGOING AIR SPEED m/sec	D.D.P. mm H ₂ O
1	490	160	*	*	36.5	0.0562	7.5	
2	490		*	*	30.5	0.0622	7.5	
3	490		*		35.5	0.0724	5.0	1.2
4	490	160	*		42.5	0.0654	5.0	1.2



ATD Elektronik s.r.o.
Lužnice 10
344 01 Domažlice
Tel.: 379 723 915
Fax: 379 725 868
www.atd-elektronik.cz
info@atd-elektronik.cz



Notes: _____

