

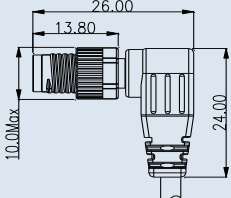
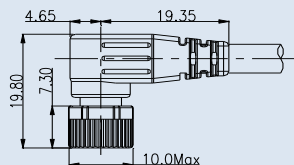


M8/M12 CONN SERIES

CHOGORI

M8 Series Specification

M8 Series, Molded with Cable

Description	Molded with Cable, 90° Male Pin Screw Type, Solder	Molded with Cable, 90° Female Pin Screw Type, Solder												
														
Drawing														
	Part NO.	<table border="1"> <thead> <tr> <th>Contacts</th> <th>Part-Number</th> </tr> </thead> <tbody> <tr> <td>3</td> <td>52031104-01-XXXXX</td> </tr> <tr> <td>4</td> <td>52041104-01-XXXXX</td> </tr> </tbody> </table>	Contacts	Part-Number	3	52031104-01-XXXXX	4	52041104-01-XXXXX	<table border="1"> <thead> <tr> <th>Contacts</th> <th>Part-Number</th> </tr> </thead> <tbody> <tr> <td>3</td> <td>52034104-01-XXXXX</td> </tr> <tr> <td>4</td> <td>52044104-01-XXXXX</td> </tr> </tbody> </table>	Contacts	Part-Number	3	52034104-01-XXXXX	4
Contacts	Part-Number													
3	52031104-01-XXXXX													
4	52041104-01-XXXXX													
Contacts	Part-Number													
3	52034104-01-XXXXX													
4	52044104-01-XXXXX													

Specifications		
Number of Contacts	3	4
Wire Gauge	3X0.25mm ² (24AWG) / 3x0.34mm ² (22AWG)	4x0.25mm ² (24AWG) / 4x0.34mm ² (22AWG)
Voltage Rating	60V DC	30 V DC
Rated Current(40°C)	3 A	
Signal Per Port	1	2
Environmental Protection	IP65 and IP67 when plugged and screwed down (EN 60529)	
Mechanical Life	100 mating cycles	
Operating Temperature	-20°C - 85°C, depending on cable quality	