



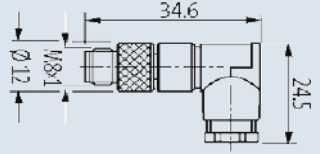
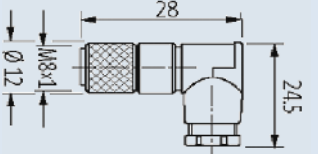
M8/M12 CONN SERIES

CHOGORI

M8 Series Specification

M8 Series, Field Installable

| | | |
|-------------|---|--|
| Description | Field Installable, 90° Male Pin Screw Type,Solder  | Field Installable, 90° Male Pin Screw Type,Solder  |
|-------------|---|--|

| | | |
|---------|---|--|
| Drawing |  |  |
|---------|---|--|

| Part No. | Contacts | Part -Number |
|----------|----------|--------------|
| | 3 | 52031102-01 |
| | 4 | 52041102-01 |

| Specifications | | |
|--------------------------|---|---|
| Number of Contacts | 3 | 4 |
| Wire Gauge | 3X0.25mm ² (24AWG) / 3x0.34mm ² (22AWG) | 4x0.25mm ² (24AWG) / 4x0.34mm ² (22AWG) |
| Voltage Rating | 60V DC | 30 V DC |
| Rated Current(40°C) | 3 A | |
| Signal Per Port | 1 | 2 |
| Environmental Protection | IP65 and IP67 when plugged and screwed down (EN 60529) | |
| Mechanical Life | 100 mating cycles | |
| Operating Temperature | -20°C - 85°C, depending on cable quality | |