

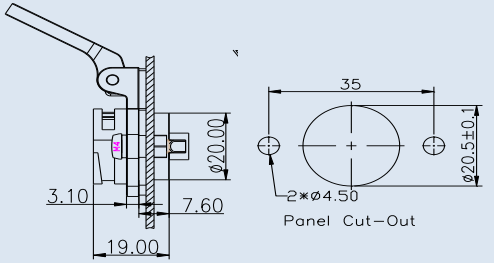
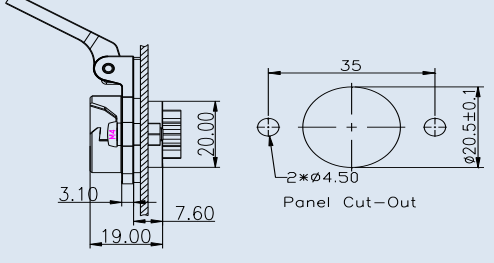
# LARGE SERIES







## CHOGORI

### Large Series Specifications

#### Large Series, Panel Mount & Female Pin

Description	Rhombus Panel Mount Lock Bayonet Type,Solder	Rhombus Panel Mount Push Lock Type,Solder
Figure		

Drawing		
---------	------------------------------------------------------------------------------------	-------------------------------------------------------------------------------------

Part-No.	Contacts	Part Number	Contacts	Part Number
	2	24002626-05 	2	24002636-05 
	3(20A)	24003626-03 	3(20A)	24003636-03 
	3(50A)	24003626-04	3(50A)	24003636-04
	9	24009626-05	9	24009636-05
	3+9(FM)	24309626-05 	3+9(FM)	24309636-05 

Specifications					
Number of Contacts	2	3	3	9	3+9
Wire Gauge	4.0mm <sup>2</sup> (12AWG)	8.4mm <sup>2</sup> (8AWG)	0.75mm <sup>2</sup> (18AWG)		2.5mm <sup>2</sup> + 0.2mm <sup>2</sup> (12AWG+24AWG)
Panel Thickness	Max. 5.0mm				Max. 5.0mm
Environmental Protection	IP67				
Mechanical Life	500 mating cycles				
Operating Temperature	- 45°C - 105°C				
Voltage Rating	300V	300V	300V	125V	300V
Rated Current (40°C)	20A	20A	50A	5A	20A+5A