

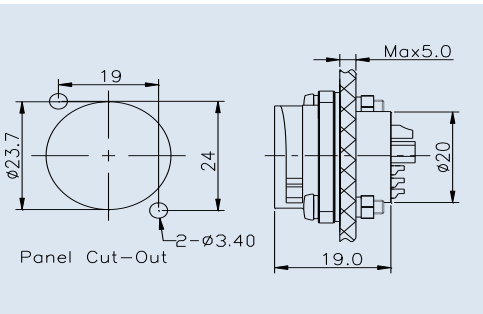
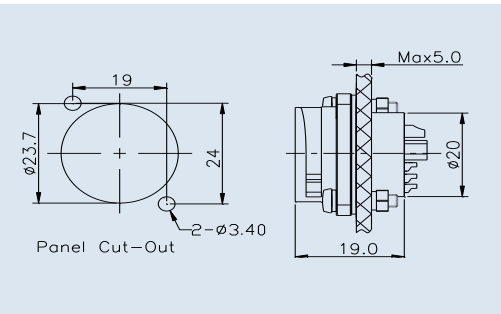
LARGE SERIES







CHOGORI

Large Series Specifications

Large Series, Panel Mount & Female Pin

Description	Square Panel Mount Lock Bayonet Type, Solder	Square Panel Mount Push Lock Type, Solder
Figure		

Drawing		
---------	--	---

Part-No.	Bayonet Lock Type		Push Lock Type	
	Contacts	Part Number	Contacts	Part Number
	2	24002626-01 	2	24002636-01 
	3(20A)	24003626-01 	3(20A)	24003636-01 
	3(50A)	24003626-02	3(50A)	24003636-02
	9	24009626-01	9	24009636-01
	3+9(FM)	24309626-01 	3+9(FM)	24309636-01 

Specifications					
Number of Contacts	2	3	3	9	3+9
Wire Gauge	4.0mm ² (12AWG)	8.4mm ² (8AWG)	0.75mm ² (18AWG)		2.5mm ² + 0.2mm ² (12AWG+24AWG)
Panel Thickness	Max. 5.0mm				Max. 5.0mm
Environmental Protection	IP67				
Mechanical Life	500 mating cycles				
Operating Temperature	- 45°C - 105°C				
Voltage Rating	300V	300V	300V	125V	300V
Rated Current (40°C)	20A	20A	50A	5A	20A+5A