

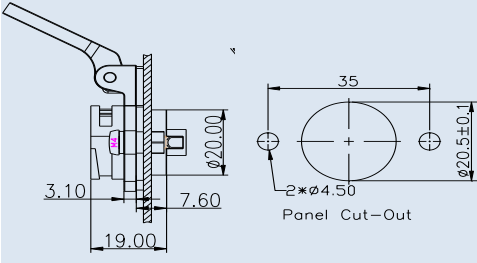
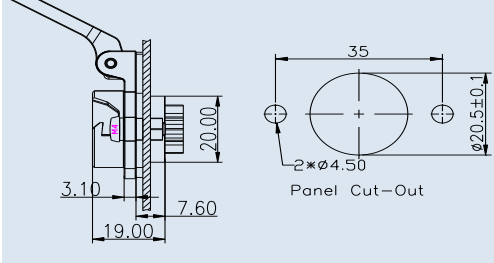
LARGE SERIES







CHOGORI

Large Series Specifications

Large Series, Panel Mount & Male Pin

Description	Rhombus Panel Mount Lock Bayonet Type, Solder	Rhombus Panel Mount Push Lock Type, Solder
Figure		

Drawing		
---------	--	---

Part-No.	Lock Bayonet Type		Push Lock Type	
	Contacts	Part Number	Contacts	Part Number
	2	24002526-02 	2	24002536-02 
	3(20A)	24003526-03 	3(20A)	24003536-03 
	3(50A)	24003526-04	3(50A)	24003536-04
	9	24009526-02	9	24009536-02
	3+9(MF)	24309526-02 	3+9(MF)	24309536-02 

Specifications					
Number of Contacts	2	3	3	9	3+9
Wire Gauge	4.0mm ² (12AWG)	8.4mm ² (8AWG)	0.75mm ² (18AWG)	2.5mm ² + 0.2mm ² (12AWG+24AWG)	
Panel Thickness	Max. 5.0mm			Max. 5.0mm	
Environmental Protection	IP67				
Mechanical Life	500 mating cycles				
Operating Temperature	- 45°C - 105°C				
Voltage Rating	300V	300V	300V	125V	300V
Rated Current (40°C)	20A	20A	50A	5A	20A+5A

COMPANY PROFILE
500 Series
Mini Series
Standard Series
Middle Series
Large Series
Distributor Series
RJ45 Series
USB Series
D-Sub series
T Adapter Series
Splitter Series
HDMI Series
M8/M12 CONN Series
M Series Distributor