


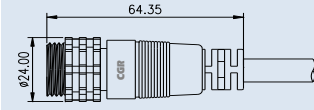
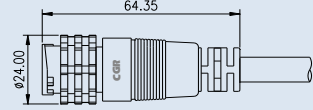
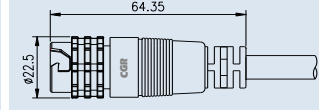


MIDDLE SERIES

CHOGORI

Middle Series Specifications

Middle Series, Female Connector & Male Pin

Description	Molded, 180° Screw Type, Solder	Molded, 180° Lock bayonet Type, Solder	Molded, 180° Push Lock Type, Solder
Figure			
Drawing			

Part-No.	Screw Type			Lock bayonet Type			Push Lock Type		
	Contacts	Cable Range(mm)	Part-Number	Contacts	Cable Range(mm)	Part-Number	Contacts	Cable Range(mm)	Part-Number
	2	Max. 10.8	23002313-01-XXX	2	Max. 10.8	23002323-01-XXX	2	Max. 10.8	23002333-01-XXX
	3	Max. 10.8	23003313-01-XXX	3	Max. 10.8	23003323-01-XXX	3	Max. 10.8	23003333-01-XXX
	4	Max. 10.8	23004313-01-XXX	4	Max. 10.8	23004323-01-XXX	4	Max. 10.8	23004333-01-XXX
	5	Max. 10.8	23005313-01-XXX	5	Max. 10.8	23005323-01-XXX	5	Max. 10.8	23005333-01-XXX
	6	Max. 10.8	23006313-01-XXX	6	Max. 10.8	23006323-01-XXX	6	Max. 10.8	23006333-01-XXX
	7	Max. 10.8	23007313-01-XXX	7	Max. 10.8	23007323-01-XXX	7	Max. 10.8	23007333-01-XXX
	8	Max. 10.8	23008313-01-XXX	8	Max. 10.8	23008323-01-XXX	8	Max. 10.8	23008333-01-XXX
	3+5	Max. 10.8	23305313-01-XXX	3+5	Max. 10.8	23305323-01-XXX	3+5	Max. 10.8	23305333-01-XXX
	9	Max. 10.8	23009313-01-XXX	9	Max. 10.8	23009323-01-XXX	9	Max. 10.8	23009333-01-XXX
	10	Max. 10.8	23010313-01-XXX	10	Max. 10.8	23010323-01-XXX	10	Max. 10.8	23010333-01-XXX
	12	Max. 10.8	23012313-01-XXX	12	Max. 10.8	23012323-01-XXX	12	Max. 10.8	23012333-01-XXX
	14	Max. 10.8	23014313-01-XXX	14	Max. 10.8	23014323-01-XXX	14	Max. 10.8	23014333-01-XXX
	18	Max. 10.8	23018313-01-XXX	18	Max. 10.8	23018323-01-XXX	18	Max. 10.8	23018333-01-XXX

Specifications													
Number of Contacts	2	3	4	5	6	7	8	3+5	9	10	12	14	18
Wire Gauge	2.5mm ² (14AWG)	1.0mm ² (17AWG)	0.75mm ² (18AWG)	0.34mm ² (22AWG)	1.0mm ² +0.25mm ² (17AWG +24AWG)	0.34mm ² (22AWG)	0.25mm ² (24AWG)						
Cable Range	Max. 10.8mm												
Environmental Protection	IP67												
Mechanical Life	500 mating cycles												
Operating Temperature	- 40 °C - 80 °C												
Voltage Rating	300V	300V	300V	125V	125V	60V	60V	125+30V	60V	30V	30V	30V	30V
Rated Current(40°C)	20A	20A	15A	10A	10A	5A	5A	15A+2A	5A	5A	5A	5A	2A