

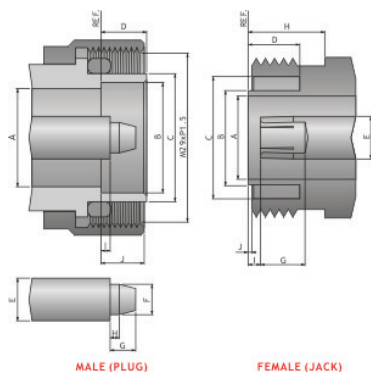
7/16 connectors are designed for using in high power communication systems.

These connectors perform exceptionally well in multi-channel cellular systems where power levels approximate 100 watts per channel.

Applications

1. Antennas..
2. Base stations.
3. Broadcast communication Systems.
4. Jumper Cables.

Interface Dimensions (millimeters)



	MALE		FEMALE	
	min.	max.	min.	max.
A	15.85	16.25	15.85	16.25
B	18.03	18.21	—	18.00
C	20.60	21.40	22.10	22.90
D	7.00	8.00	8.10	—
E	6.97	7.03	6.97	7.03
F	4.96	5.04	—	—
G	—	4.50	5.00	—
H	1.40	1.60	10.00	—
I	1.47	1.77	1.77	2.07
J	7.00	9.00	0.50	0.70

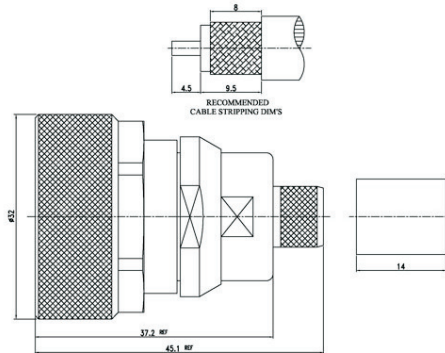
Note 1:
I.D. to meet VSWR and contact resistance when mated with 4.96/5.04mm DIA. PIN.

Technical Characteristics

Electrical		
Impedance	50 ohm	
Frequency Range	0-4 GHz	
Working Voltage	2700 V rms max	
Dielectric With standing Voltage	4000 V rms min	
VSWR	Straight	1.3 max
	Right Angle	1.5 max
Contact Resistance	Center Contact	≦ 0.4 Milliohms
	Outer Contact	≦ 0.2 Milliohms
Insulator Resistance	≧ 5000 Megohms	
Mechanical		
Engagement Force	N/A	
Disengagement Force	N/A	
Coupling Nut Retention	225 lbs. max	
Durability(mating cycles)	500 cycles min (for Beryllium-copper pin only)	
Material		
Parts Name	Material	Finish
Connector Body	Brass	Silver
Center Contacts	Male	Brass
	Female	Beryllium-copper
Insulators	TEFLON	None
Crimp Ferrules	Annealed Copper or Brass	Silver
Clamp Gaskets	Rubber	None

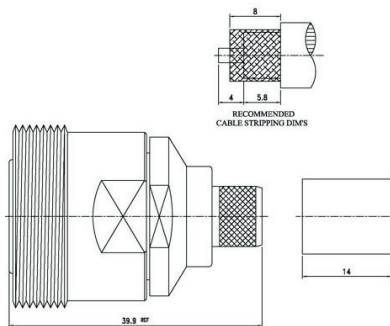


Straight Male Clamp



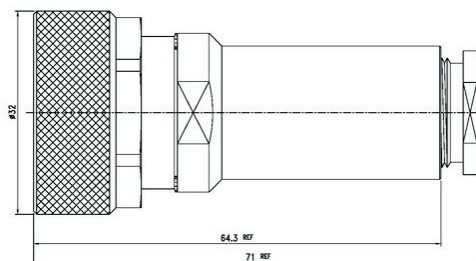
part number	cable group
716-1101-TSS	213/U
716-1102-TSS	214/U
716-1103-TSS	Belden 9913, LMR400
716-1105-TSS	LMR-500
716-1106-TSS	LMR-600

Straight Female Crimp



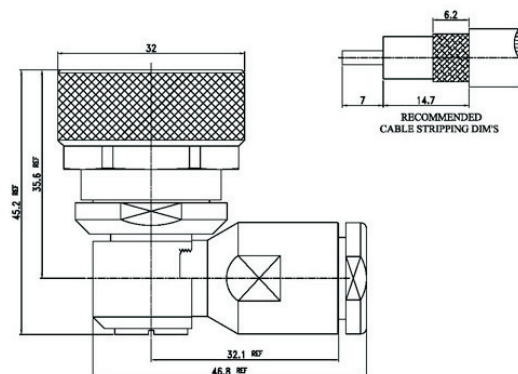
part number	cable group
716-1201-TSS	213/U
716-1202-TSS	214/U
716-1203-TSS	Belden 9913, LMR400
716-1206-TSS	LMR-600

Straight Male Crimp



part number	cable group
716-2101-TSS	213/U
716-2102-TSS	214/U
716-2103-TSS	Belden 9913, LMR400
716-2106-TSS	LMR-600

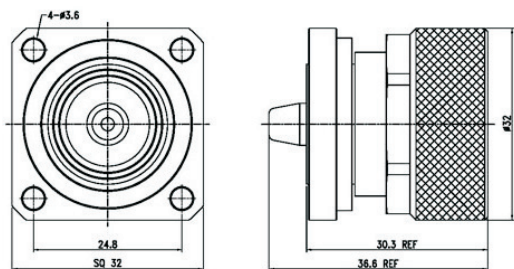
Right Angle Male Clamp



part number	cable group
716-2121-TSS	213/U
716-2122-TSS	214/U
716-2123-TSS	Belden 9913, LMR400

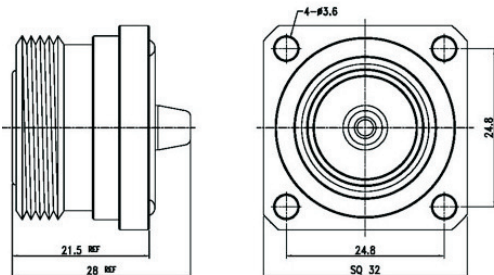


Panel Mount Male Receptacle - 4 Hole Flange



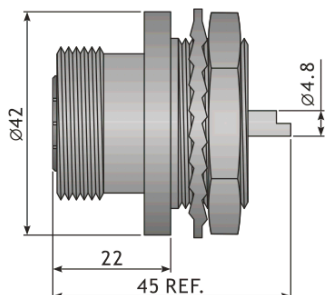
part number	cable group
716-3101-TSS	

Panel Mount Female Receptacle - 4 Hole Flange



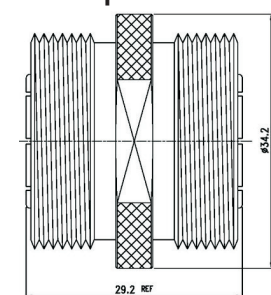
part number	cable group
716-3202-TSS	

Bulkhead Female Receptacle - Front Mount



part number	cable group
716-4201-TSS	

Female to Female Adaptor



part number	cable group
716-603-TSS	Adaptor Female
716-604-TSS	Adaptor Male

Male to Male Adaptor

