


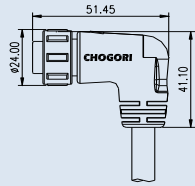
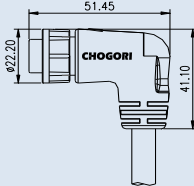
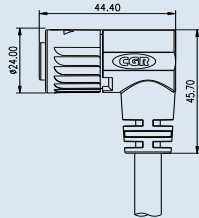


MIDDLE SERIES

CHOGORI

Middle Series Specifications

Middle Series, Male Connector & Female Pin

Description	Molded, 90° Screw Type, Solder	Molded, 90° Lock bayonet Type, Solder	Molded, 90° Push Lock Type, Solder
Figure			
Drawing			

Part-No.	Screw Type			Lock bayonet Type			Push Lock Type		
	Contacts	Cable Range(mm)	Part-Number	Contacts	Cable Range(mm)	Part-Number	Contacts	Cable Range(mm)	Part-Number
	2	Max. 10.8	23002214-01-XXX	2	Max. 10.8	23002224-01-XXX	2	Max. 10.8	23002234-01-XXX
	3	Max. 10.8	23003214-01-XXX	3	Max. 10.8	23003224-01-XXX	3	Max. 10.8	23003234-01-XXX
	4	Max. 10.8	23004214-01-XXX	4	Max. 10.8	23004224-01-XXX	4	Max. 10.8	23004234-01-XXX
	5	Max. 10.8	23005214-01-XXX	5	Max. 10.8	23005224-01-XXX	5	Max. 10.8	23005234-01-XXX
	6	Max. 10.8	23006214-01-XXX	6	Max. 10.8	23006224-01-XXX	6	Max. 10.8	23006234-01-XXX
	7	Max. 10.8	23007214-01-XXX	7	Max. 10.8	23007224-01-XXX	7	Max. 10.8	23007234-01-XXX
	8	Max. 10.8	23008214-01-XXX	8	Max. 10.8	23008224-01-XXX	8	Max. 10.8	23008234-01-XXX
	3+5	Max. 10.8	23305214-01-XXX	3+5	Max. 10.8	23305224-01-XXX	3+5	Max. 10.8	23305234-01-XXX
	9	Max. 10.8	23009214-01-XXX	9	Max. 10.8	23009224-01-XXX	9	Max. 10.8	23009234-01-XXX
	10	Max. 10.8	23010214-01-XXX	10	Max. 10.8	23010224-01-XXX	10	Max. 10.8	23010234-01-XXX
	12	Max. 10.8	23012214-01-XXX	12	Max. 10.8	23012224-01-XXX	12	Max. 10.8	23012234-01-XXX
	14	Max. 10.8	23014214-01-XXX	14	Max. 10.8	23014224-01-XXX	14	Max. 10.8	23014234-01-XXX
	18	Max. 10.8	23018214-01-XXX	18	Max. 10.8	23018224-01-XXX	18	Max. 10.8	23018234-01-XXX

Specifications													
Number of Contacts	2	3	4	5	6	7	8	3+5	9	10	12	14	18
Wire Gauge	2.5mm ² (14AWG)		1.0mm ² (17AWG)	0.75mm ² (18AWG)	0.34mm ² (22AWG)		1.0mm ² +0.25mm ² (17AWG+24AWG)		0.34mm ² (22AWG)	0.25mm ² (24AWG)			
Cable Range	Max. 10.8mm												
Environmental Protection	IP67												
Mechanical Life	500 mating cycles												
Operating Temperature	- 45°C - 105°C												
Voltage Rating	300V	300V	300V	125V	125V	60V	60V	125+30V	60V	30V	30V	30V	30V
Rated Current(40°C)	20A	20A	15A	10A	10A	5A	5A	15A+2A	5A	5A	5A	5A	2A