




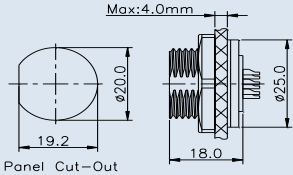
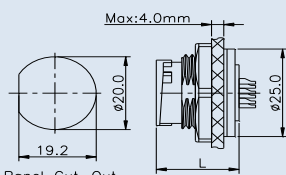
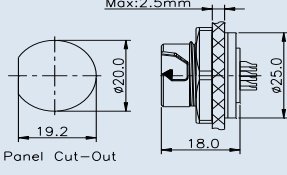
# MIDDLE SERIES

## CHOGORI

### Middle Series Specifications

#### Middle Series, Front Panel Mount & Male Pin

<b>Description</b>	Front Panel Mount Screw Type, Solder	Front Panel Mount Lock bayonet Type, Solder	Front Panel Mount Push Lock Type, Solder
<b>Figure</b>			

<b>Drawing</b>	 <p>Panel Cut-Out</p>	<p>Note: 9.10 positions, L=17.0 other positions, L=18.0</p>  <p>Panel Cut-Out</p>	 <p>Panel Cut-Out</p>
----------------	--	---	--

Part-No.	Contacts		Part-Number		Contacts		Part-Number		Contacts		Part-Number																																																																		
	2	23002515-01	2	23002525-01	2	23002535-01	3	23003515-01	3	23003525-01	3	23003535-01	4	23004515-01	4	23004525-01	4	23004535-01	5	23005515-01	5	23005525-01	5	23005535-01	6	23006515-01	6	23006525-01	6	23006535-01	7	23007515-01	7	23007525-01	7	23007535-01	8	23008515-01	8	23008525-01	8	23008535-01	3+5	23305515-01	3+5	23305525-01	3+5	23305535-01	9	23009515-01	9	23009525-01	9	23009535-01	10	23010515-01	10	23010525-01	10	23010535-01	12	23012515-01	12	23012525-01	12	23012535-01	14	23014515-01	14	23014525-01	14	23014535-01	18	23018515-01	18	23018525-01	18

Specifications													
Number of Contacts	2	3	4	5	6	7	8	3+5	9	10	12	14	18
Wire Gauge	2.5mm <sup>2</sup> (14AWG)		1.0mm <sup>2</sup> (17AWG)	0.75mm <sup>2</sup> (18AWG)		0.34mm <sup>2</sup> (22AWG)		1.0mm <sup>2</sup> +0.25mm <sup>2</sup> (17AWG +24AWG)	0.34mm <sup>2</sup> (22AWG)	0.25mm <sup>2</sup> (24AWG)			
Panel Thickness	Max. 4.0mm				Max. 4.0mm				Max. 2.5mm				
Environmental Protection	IP68				IP67				IP67				
Mechanical Life	500 mating cycles												
Operating Temperature	- 45°C - 105°C												
Voltage Rating	300V	300V	300V	125V	125V	60V	60V	125+30V	60V	30V	30V	30V	30V
Rated Current(40°C)	20A	20A	15A	10A	10A	5A	5A	15A+2A	5A	5A	5A	5A	2A