




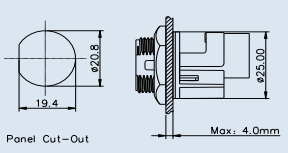
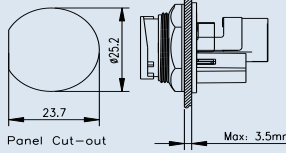
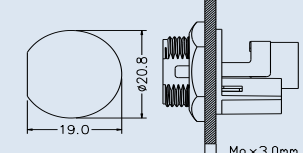
# RJ45 SERIES

## CHOGORI

### RJ45 Series Specifications

#### RJ45 Series, Panel Front Mount

Description	Panel Front Mount,90° Screw Type, Jack	Panel Front Mount,90° Lock Bayonet Type, Jack	Panel Front Mount,90° Screw(Metal) Type, Jack
Figure			

Drawing			
---------	---	--	---

Part Number	<table border="1"> <tr> <th>Contacts</th> <th>Part Number</th> </tr> <tr> <td>8</td> <td>33000000-13</td> </tr> </table>	Contacts	Part Number	8	33000000-13	<table border="1"> <tr> <th>Contacts</th> <th>Part Number</th> </tr> <tr> <td>8</td> <td>33000000-14</td> </tr> </table>	Contacts	Part Number	8	33000000-14	<table border="1"> <tr> <th>Contacts</th> <th>Part Number</th> </tr> <tr> <td>8</td> <td>33000000-15</td> </tr> </table>	Contacts	Part Number	8	33000000-15
	Contacts	Part Number													
8	33000000-13														
Contacts	Part Number														
8	33000000-14														
Contacts	Part Number														
8	33000000-15														

#### Specifications

Number of Contacts	8		8
Wire Gauge	24AWG		
Panel Thickness	Max. 4.0mm	Max. 4.0mm	Max. 4.0mm
Environmental Protection	IP67	IP67	IP67
Mechanical Life	500 mating cycles		
Operating Temperature	- 40°C - 85°C		