




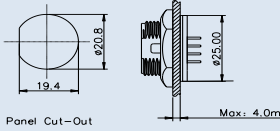
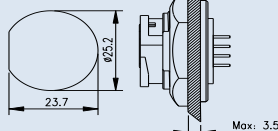
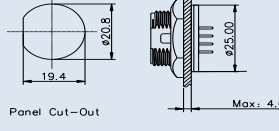
# RJ45 SERIES

## CHOGORI

### RJ45 Series Specifications

#### RJ45 Series, Panel Front Mount

Description	Panel Front Mount, Screw Type, PCB	Panel Front Mount, Lock Bayonet Type, PCB	Panel Front Mount, Screw(Metal) Type, PCB
Figure			

Drawing	 <p>Panel Cut-Out</p> <p>Max.: 4.0mm</p>	 <p>Panel Cut-out</p> <p>Max.: 3.5mm</p>	 <p>Panel Cut-Out</p> <p>Max.: 4.0mm</p>
---------	---------------------------------------------------------------------------------------------------------------------------	----------------------------------------------------------------------------------------------------------------------------	-----------------------------------------------------------------------------------------------------------------------------

Part Number	<table border="1"> <thead> <tr> <th>Contacts</th> <th>Part Number</th> </tr> </thead> <tbody> <tr> <td>8</td> <td>33000000-07</td> </tr> </tbody> </table>	Contacts	Part Number	8	33000000-07	<table border="1"> <thead> <tr> <th>Contacts</th> <th>Part Number</th> </tr> </thead> <tbody> <tr> <td>8</td> <td>33000000-08</td> </tr> </tbody> </table>	Contacts	Part Number	8	33000000-08	<table border="1"> <thead> <tr> <th>Contacts</th> <th>Part Number</th> </tr> </thead> <tbody> <tr> <td>8</td> <td>33000000-09</td> </tr> </tbody> </table>	Contacts	Part Number	8	33000000-09
Contacts	Part Number														
8	33000000-07														
Contacts	Part Number														
8	33000000-08														
Contacts	Part Number														
8	33000000-09														

Specifications		
Number of Contacts	8	
Wire Gauge	24AWG	
Panel Thickness	Max. 4.0mm	Max. 4.0mm
Environmental Protection	IP67	IP67
Mechanical Life	500 mating cycles	
Operating Temperature	- 40°C - 85°C	