




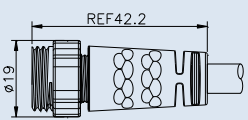
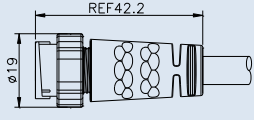
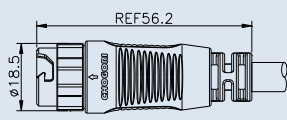
# STANDARD SERIES

## CHOGORI

### Standard Series Specifications

#### Standard Series, Female Connector & Female Pin

|             |   |  |   |
|-------------|---|--|---|
| Description | Molded with Cable, 180°<br>Screw Type, Solder                                     | Molded with Cable, 180°<br>Lock Bayonet Type, Solder                               | Molded with Cable, 180°<br>Push Lock Type, Solder                                   |
| Figure      |  |  |  |

|         |   |  |   |
|---------|---|--|---|
| Drawing |  |  |  |
|---------|---|--|---|

| Part Number | Screw Type |                 |                 | Lock Bayonet Type |                 |                 | Push Lock Type |                 |                 |
|-------------|------------|-----------------|-----------------|-------------------|-----------------|-----------------|----------------|-----------------|-----------------|
|             | Contacts   | Cable Range(mm) | Part Number     | Contacts          | Cable Range(mm) | Part Number     | Contacts       | Cable Range(mm) | Part Number     |
|             | 2          | Max. 9.0        | 22002413-01-XXX | 2                 | Max. 9.0        | 22002423-01-XXX | 2              | Max. 9.0        | 22002433-01-XXX |
|             | 3          | Max. 9.0        | 22003413-01-XXX | 3                 | Max. 9.0        | 22003423-01-XXX | 3              | Max. 9.0        | 22003433-01-XXX |
|             | 4          | Max. 9.0        | 22004413-01-XXX | 4                 | Max. 9.0        | 22004423-01-XXX | 4              | Max. 9.0        | 22004433-01-XXX |
|             | 5          | Max. 9.0        | 22005413-01-XXX | 5                 | Max. 9.0        | 22005423-01-XXX | 5              | Max. 9.0        | 22005433-01-XXX |
|             | 6          | Max. 9.0        | 22006413-01-XXX | 6                 | Max. 9.0        | 22006423-01-XXX | 6              | Max. 9.0        | 22006433-01-XXX |
|             | 2+4        | Max. 9.0        | 22204413-01-XXX | 2+4               | Max. 9.0        | 22204423-01-XXX | 2+4            | Max. 9.0        | 22204433-01-XXX |
|             | 2+6        | Max. 9.0        | 22206413-01-XXX | 2+6               | Max. 9.0        | 22206423-01-XXX | 2+6            | Max. 9.0        | 22206433-01-XXX |

#### Specifications

|                          |                              |      |      |                              |   |   |       |
|--------------------------|------------------------------|------|------|------------------------------|---|---|-------|
| Number of Contacts       | 2                            | 3    | 4    | 5                            | 6   | 2+4   | 2+6   |
| Wire Gauge               | 0.823mm <sup>2</sup> (18AWG) |      |      | 0.519mm <sup>2</sup> (20AWG) | 0.823mm <sup>2</sup> (18AWG)*2C<br>0.34mm <sup>2</sup> (22AWG)*4C | 0.519mm <sup>2</sup> (20AWG)*2C<br>0.34mm <sup>2</sup> (22AWG)*6C |       |
| Cable Range              | Max. 9.0 mm                  |      |      |                              |   |   |       |
| Environmental Protection | IP67                         |      |      | IP67                         |   |   | IP67  |
| Mechanical Life          | 500 mating cycles            |      |      |                              |   |   |       |
| Operating Temperature    | - 40°C - 80°C                |      |      |                              |   |   |       |
| Voltage Rating           | 300V                         | 300V | 125V | 60V                          | 60V   | 60V   | 30V   |
| Rated Current (40°C)     | 10A                          | 10A  | 10A  | 5A                           | 5A  | 10A+2A  | 5A+2A |

COMPANY PROFILE  
500 Series  
Mini Series  
Standard Series  
Middle Series  
Large Series  
Distributor Series  
RJ45 Series  
USB Series  
D-Sub series  
T Adapter Series  
Splitter Series  
HDMI Series  
M8/M12 CONN Series  
M Series Distributor