



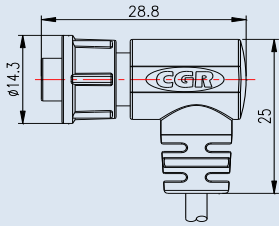
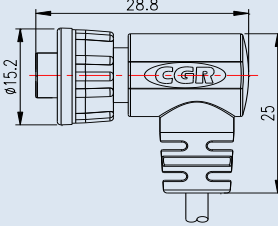
MINI SERIES

CHOGORI

MINI Series Specifications

Mini Series , Male connector & Male pin

Description	Molded, 90° Lock Bayonet Type, Solder	Molded, 90° Screw Type, Solder
Figure		

Drawing		
---------	--	---

Part-No.	Contacts	Cable Range(mm)	Part-Number	Contacts	Cable Range(mm)	Part-Number
	4	Max. 7.2	21004124-02-XXX	4	Max. 7.2	21004114-02-XXX

Specifications									
Number of Contacts	2	3	4	4	5	6	2+4	7	8
Wire Gauge	0.519mm ² (20AWG)				0.34mm ² (22AWG)				
Cable Range	Max. 7.2mm								
Environmental Protection	IP67								
Mechanical Life	500 mating cycles								
Operating Temperature	- 40°C - 80°C								
Voltage Rating	50V								
Rated Current(40°C)	5A								