

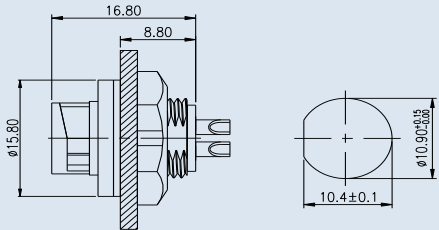
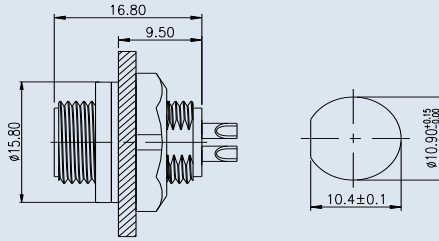
MINI SERIES

CHOGORI

MINI Series Specifications

Mini Series , Rear Panel Mount & Female pin

Description	Rear Panel Mount Lock Bayonet Type, Solder	Rear Panel Mount Screw Type, Solder
Figure		

Drawing		
---------	--	---

Part-No.	Contacts	Part-Number	Contacts	Part-Number
	4	21004625-03	4	21004615-03

Specifications

Number of Contacts	4
Wire Gauge	0.34mm ² (22AWG)
Panel Thickness	Max. 4.0mm
Environmental Protection	IP67/IP68
Mechanical Life	500 mating cycles
Operating Temperature	- 45°C - 105°C
Voltage Rating	50V
Rated Current(40°C)	5A