

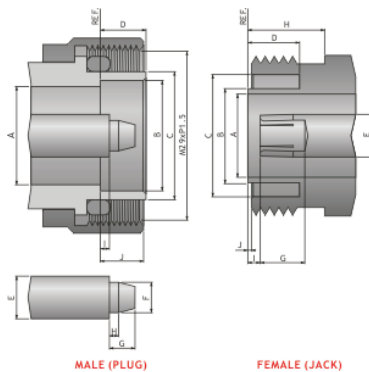
7/16 connectors are designed for using in high power communication systems.

These connectors perform exceptionally well in multi-channel cellular systems where power levels approximate 100 watts per channel.

Applications

1. Antennas..
2. Base stations.
3. Broadcast communication Systems.
4. Jumper Cables.

Interface Dimensions (millimeters)



| | MALE | | FEMALE | |
|---|-------|-------|--------|-------|
| | min. | max. | min. | max. |
| A | 15.85 | 16.25 | 15.85 | 16.25 |
| B | 18.03 | 18.21 | — | 18.00 |
| C | 20.60 | 21.40 | 22.10 | 22.90 |
| D | 7.00 | 8.00 | 8.10 | — |
| E | 6.97 | 7.03 | 6.97 | 7.03 |
| F | 4.96 | 5.04 | — | — |
| G | — | 4.50 | 5.00 | — |
| H | 1.40 | 1.60 | 10.00 | — |
| I | 1.47 | 1.77 | 1.77 | 2.07 |
| J | 7.00 | 9.00 | 0.50 | 0.70 |

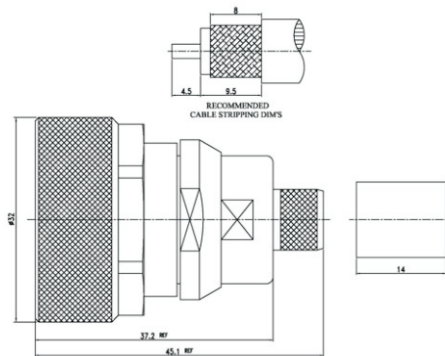
Note 1:
I.D. to meet VSWR and contact resistance when mated with 4.96/5.04mm DIA. PIN.

Technical Characteristics

| Electrical | | |
|----------------------------------|---------------------------------------------------|------------------|
| Impedance | 50 ohm | |
| Frequency Range | 0-4 GHz | |
| Working Voltage | 2700 V rms max | |
| Dielectric With standing Voltage | 4000 V rms min | |
| VSWR | Straight | 1.3 max |
| | Right Angle | 1.5 max |
| Contact Resistance | Center Contact | ≅ 0.4 Milliohms |
| | Outer Contact | ≅ 0.2 Milliohms |
| Insulator Resistance | ≅ 5000 Megohms | |
| Mechanical | | |
| Engagement Force | N/A | |
| Disengagement Force | N/A | |
| Coupling Nut Retention | 225 lbs. max | |
| Durability(mating cycles) | 500 cycles min (for Beryllium-copper pin only) | |
| Material | | |
| Parts Name | Material | Finish |
| Connector Body | Brass | Silver |
| Center Contacts | Male | Brass |
| | Female | Beryllium-copper |
| Insulators | TEFLON | None |
| Crimp Ferrules | Annealed Copper or Brass | Silver |
| Clamp Gaskets | Rubber | None |

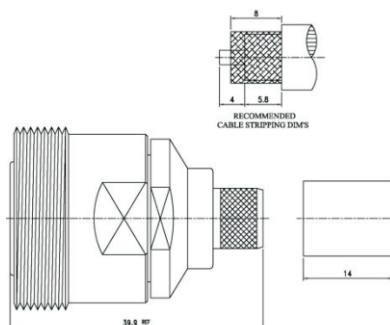


Straight Male Clamp



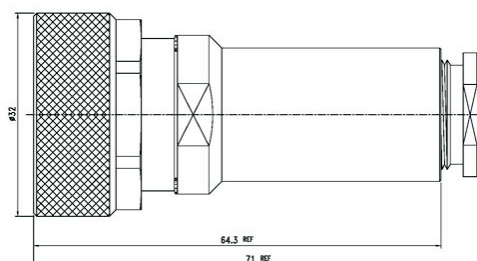
| part number | cable group |
|--------------|---------------------|
| 716-1101-TSS | 213/U |
| 716-1102-TSS | 214/U |
| 716-1103-TSS | Belden 9913, LMR400 |
| 716-1105-TSS | LMR-500 |
| 716-1106-TSS | LMR-600 |

Straight Female Crimp



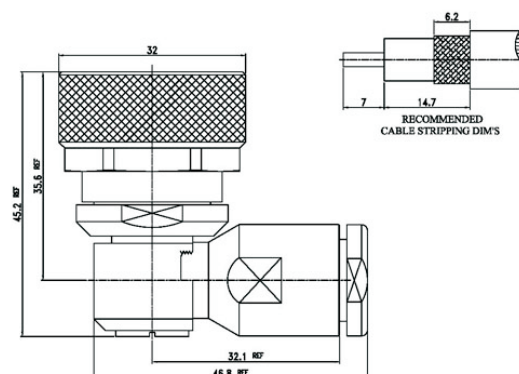
| part number | cable group |
|--------------|---------------------|
| 716-1201-TSS | 213/U |
| 716-1202-TSS | 214/U |
| 716-1203-TSS | Belden 9913, LMR400 |
| 716-1206-TSS | LMR-600 |

Straight Male Crimp



| part number | cable group |
|--------------|---------------------|
| 716-2101-TSS | 213/U |
| 716-2102-TSS | 214/U |
| 716-2103-TSS | Belden 9913, LMR400 |
| 716-2106-TSS | LMR-600 |

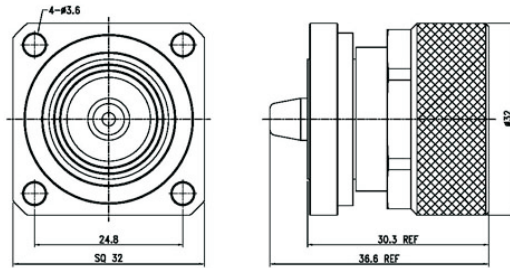
Right Angle Male Clamp



| part number | cable group |
|--------------|---------------------|
| 716-2121-TSS | 213/U |
| 716-2122-TSS | 214/U |
| 716-2123-TSS | Belden 9913, LMR400 |

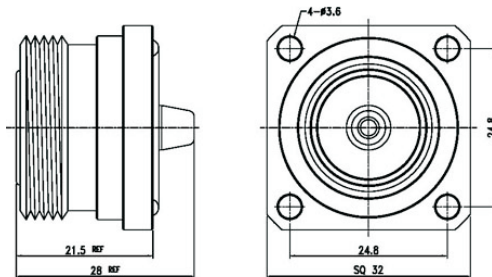
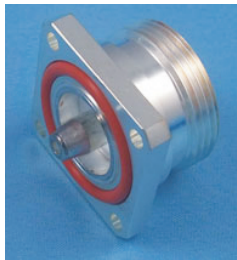


Panel Mount Male Receptacle - 4 Hole Flange



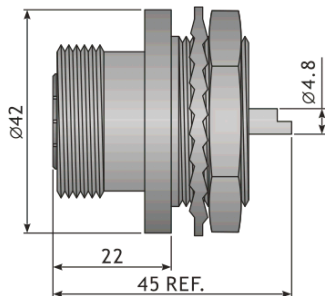
| | |
|--------------|-------------|
| part number | cable group |
| 716-3101-TSS | |

Panel Mount Female Receptacle - 4 Hole Flange



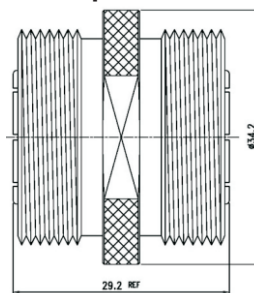
| | |
|--------------|-------------|
| part number | cable group |
| 716-3202-TSS | |

Bulkhead Female Receptacle - Front Mount



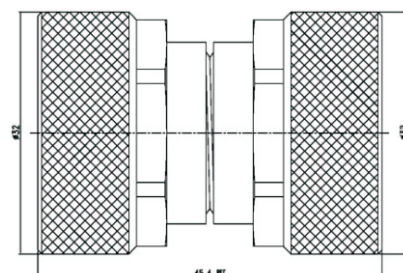
| | |
|--------------|-------------|
| part number | cable group |
| 716-4201-TSS | |

Female to Female Adaptor

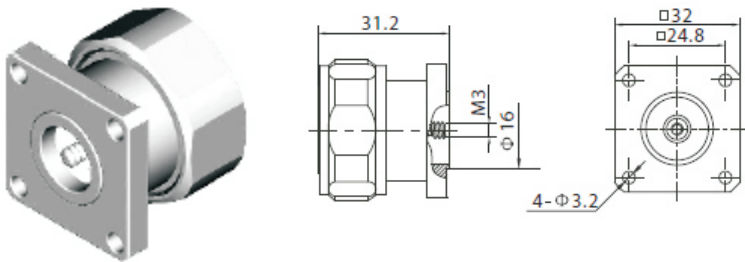


| | |
|-------------|----------------|
| part number | cable group |
| 716-603-TSS | Adaptor Female |
| 716-604-TSS | Adaptor Male |

Male to Male Adaptor

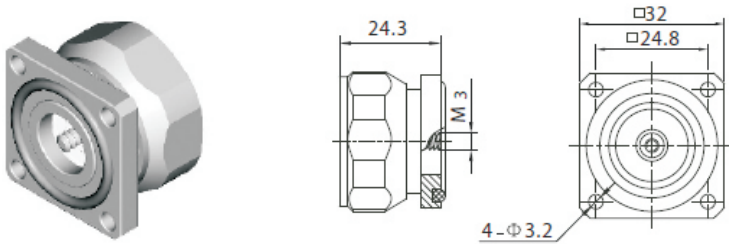


Panel Mount Male Receptacle - 4 Hole Flange



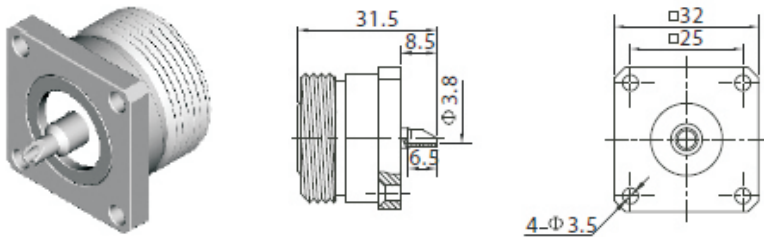
| | |
|--------------|-------------|
| part number | cable group |
| 716-3102-TSS | |

Panel Mount Male Receptacle - 4 Hole Flange



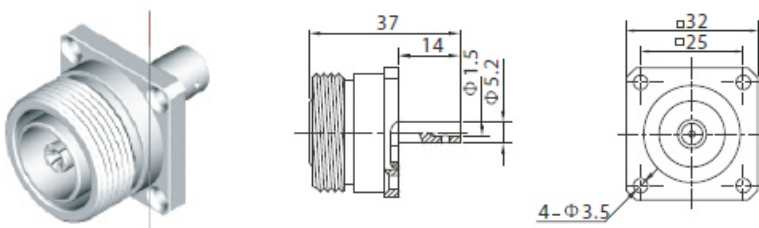
| | |
|--------------|-------------|
| part number | cable group |
| 716-3103-TSS | |

Panel Mount Female Receptacle - 4 Hole Flange



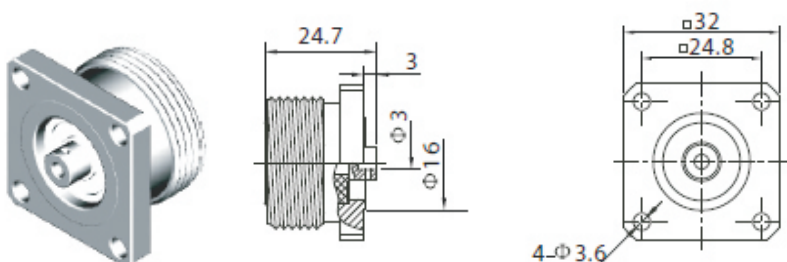
| | |
|--------------|-------------|
| part number | cable group |
| 716-3204-TSS | |

Panel Mount Female Receptacle - 4 Hole Flange



| | |
|--------------|-------------|
| part number | cable group |
| 716-3205-TSS | |

Panel Mount Female Receptacle - 4 Hole Flange



| | |
|--------------|-------------|
| part number | cable group |
| 716-3207-TSS | |



Cavity Power Splitter N type



| Performance | 2 Way | 3 Way | 4 Way |
|-----------------|----------------|----------------|----------------|
| Frequency Range | 800 ~ 2500 Mhz | 800 ~ 2500 Mhz | 800 ~ 2500 Mhz |
| Insertion Loss | 3.4 | 5.0 | 6.5 |
| V S W R | 1.3 | 1.3 | 1.3 |
| Impedance | 50 Ω | 50 Ω | 50 Ω |
| Power | 100 W | 100 W | 100 W |
| Connector | N Female | N Female | N Female |

7/16 type



| Performance | 2 Way | 3 Way | 4 Way |
|-----------------|----------------|----------------|----------------|
| Frequency Range | 800 ~ 2500 Mhz | 800 ~ 2500 Mhz | 800 ~ 2500 Mhz |
| Insertion Loss | 3.4 | 5.0 | 6.5 |
| V S W R | 1.3 | 1.3 | 1.3 |
| Impedance | 50 Ω | 50 Ω | 50 Ω |
| Power | 100 W | 100 W | 100 W |
| Connector | N Female | N Female | N Female |

